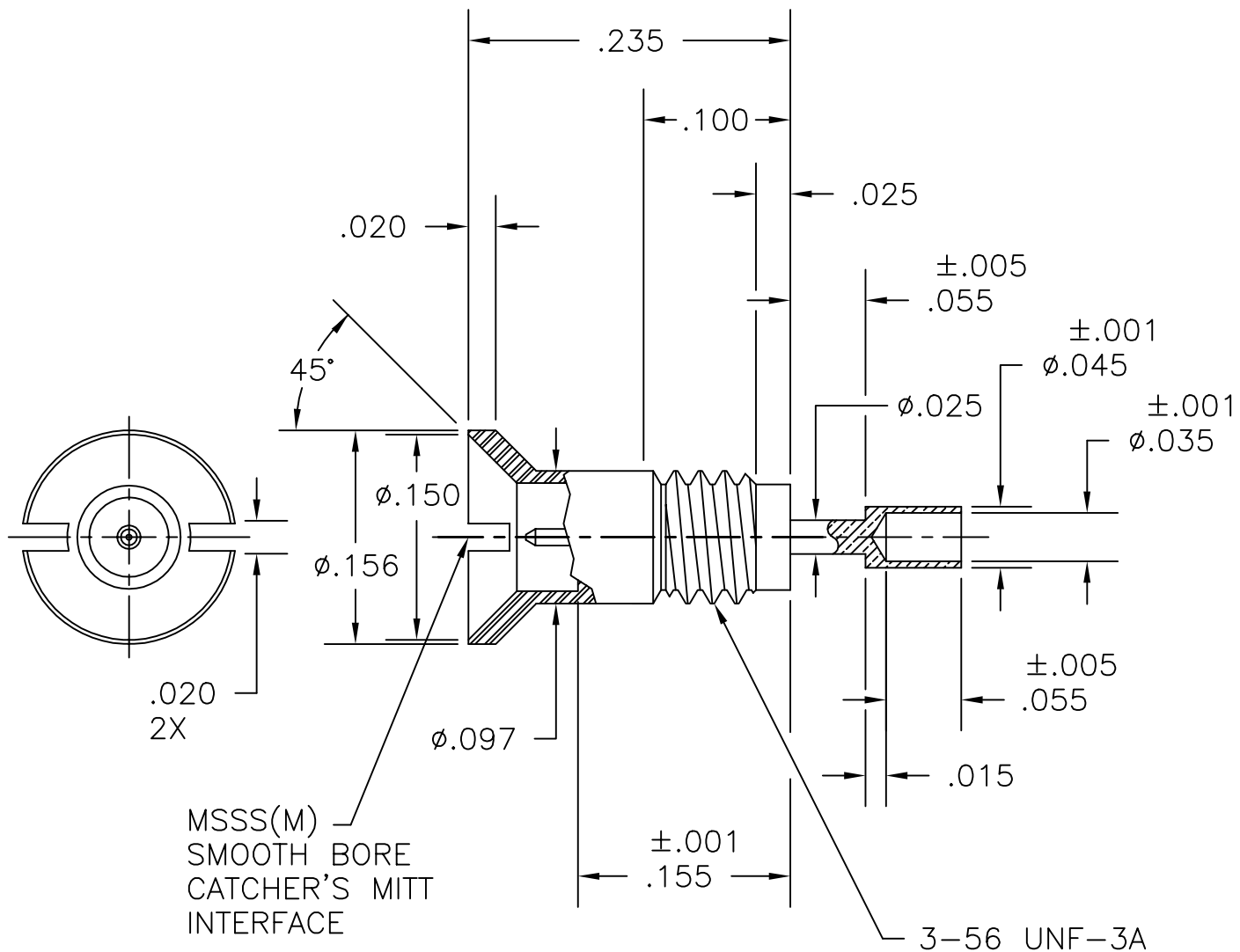


COMPONENT	MATERIAL AND FINISH	
CONTACT	BeCu, ASTM B196, UNS C17300	GOLD PLATE, MIL-G-45204, TYPE 1, GRADE C, CLASS 1
INSULATOR	PTFE, ASTM D1710, TYPE I, GRADE 1, CLASS A	
MSSS SBCM BODY	303 CRES, ASTM A582	PASSIVATE, AMS-QQ-P-35

PART NO. MSSS-6675



OUTLINE DRAWING



MICRO-MODE PRODUCTS, INC.
The Reliable Connection to the Future

El Cajon, CA 92020 Peoria, AZ 85345
(619) 449-3844 (623) 334-8944

CAGE CODE
15907

ASSY PROCEDURES: N/A

THREAD-IN TOOL: MMTL-6376

MSSS, MALE, SB CATCHERS MITT,
THREAD-IN (WAVEGUIDE APPLICATION)

PART NO.

MSSS-6675

REVISION

—

SHEET 1 OF 1

OL6675 8-19-99 PC DR