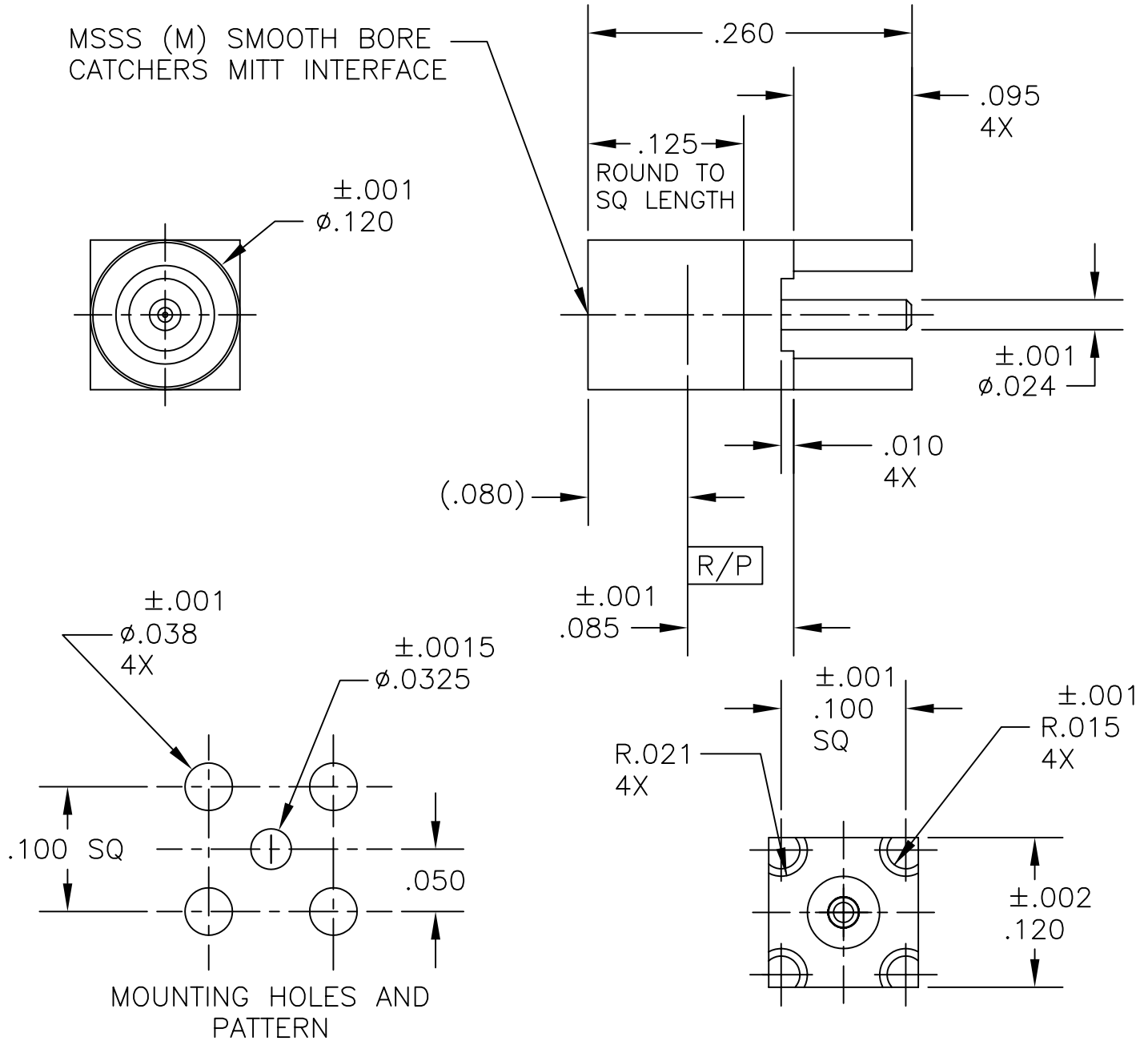


COMPONENT	MATERIAL AND FINISH	
BODY & CONTACT	BeCu, ASTM B196, UNS C17300	GOLD PLATE, MIL-G-45204, TYPE 1, GRADE C, CLASS 1
INSULATORS	PTFE, ASTM D1710, TYPE I, GRADE 1, CLASS A	

PART NO. MSSS-6606

OUTLINE DRAWING



MICRO-MODE PRODUCTS, INC.
The Reliable Connection to the Future

El Cajon, CA 92020
ph 619.449.3844
www.micromode.com

CAGE CODE
15907

ASSY PROCEDURES: N/A

MSSS (M) SBCM TO PCB MOUNT

INSERTION/EXTRACTION TOOL: N/A

PART NO.

REVISION

SHEET 1 OF 1 OL6606 11-10-99 PC

MSSS-6606

—