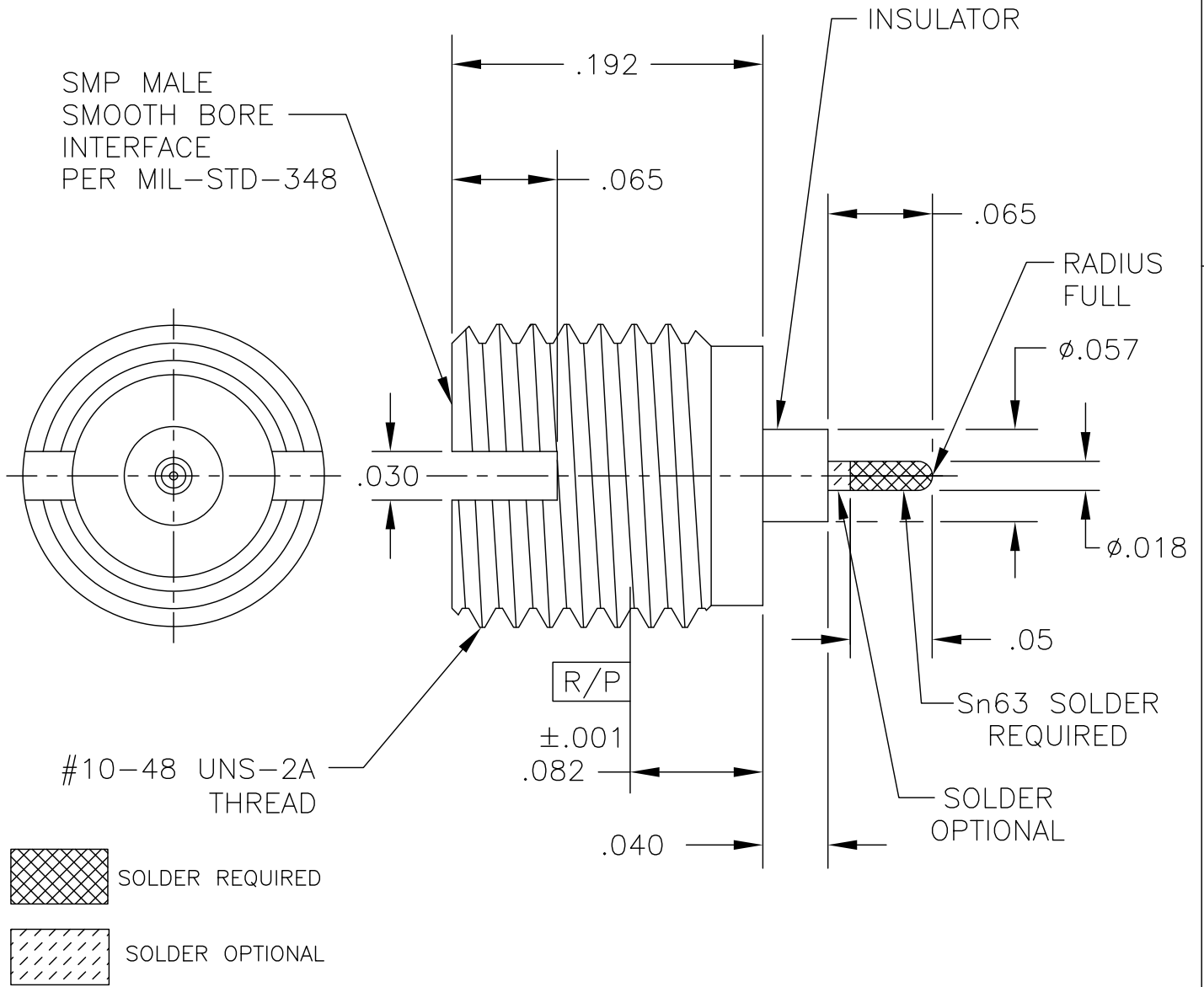



| COMPONENT | MATERIAL AND FINISH | |
|-----------|---|--|
| CONTACT | BeCu, ASTM B196, UNS C17300 | GOLD PLATE, MIL-G-45204, TYPE 1, GRADE C, CLASS 1 |
| INSULATOR | PTFE, ASTM D1710, TYPE I, GRADE 1, CLASS A | |
| SHROUD | 303 CRES, ASTM A582 | PASSIVATE, AMS-QQ-P-35 |
| SOLDER | Sn63 (TIN-LEAD) | |

PART NO. MMSP-6576

OUTLINE DRAWING



| | | | |
|--|--|----|--|
|  MICRO-MODE PRODUCTS, INC. <i>The Reliable Connection to the Future</i> | El Cajon, CA 92020 ph 619.449.3844 www.micromode.com | | CAGE CODE 15907 |
| | ASSY PROCEDURES: MMAP-2694 INSERTION/EXTRACTION TOOL: MMTL-2685 | | MMSP, MALE, SMOOTH BORE, THREAD-IN, STRAIGHT TERMINAL |
| SHEET 1 OF 1 | OL6576 1-10-2000 | PC | PART NO. MMSP-6576 REVISION G |