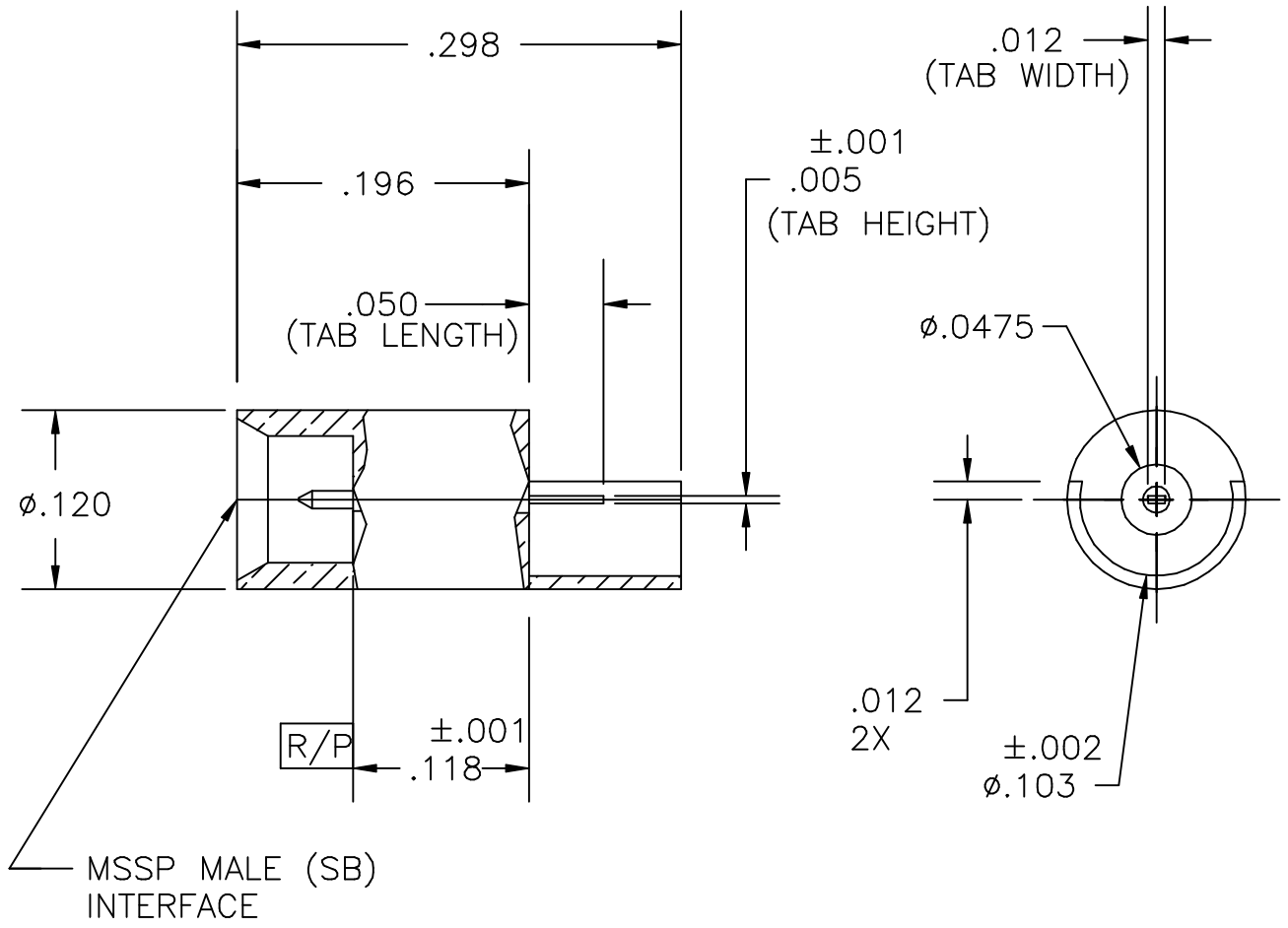



COMPONENT	MATERIAL AND FINISH	
HOUSING & CONTACT	BeCu, ASTM B196, UNS C17300	GOLD PLATE, MIL-G-45204, TYPE 1, GRADE C, CLASS 1
INSULATOR	PTFE, ASTM D1710, TYPE I, GRADE 1, CLASS A	

PART NO. MSSP-6450



OUTLINE DRAWING

 MICRO-MODE PRODUCTS, INC. <i>The Reliable Connection to the Future</i>	El Cajon, CA 92020 Peoria, AZ 85345 (619) 449-3844 (602) 334-8944	CAGE CODE 15907
	ASSY PROCEDURE: N/A LOCATOR TOOL: N/A	
MSSP, MALE, SMOOTH BORE STRAIGHT EDGE MOUNT, TAB TERMINAL		PART NO. MSSP-6450
SHEET 1 OF 1	OL6450 3-99 PC	REVISION 01