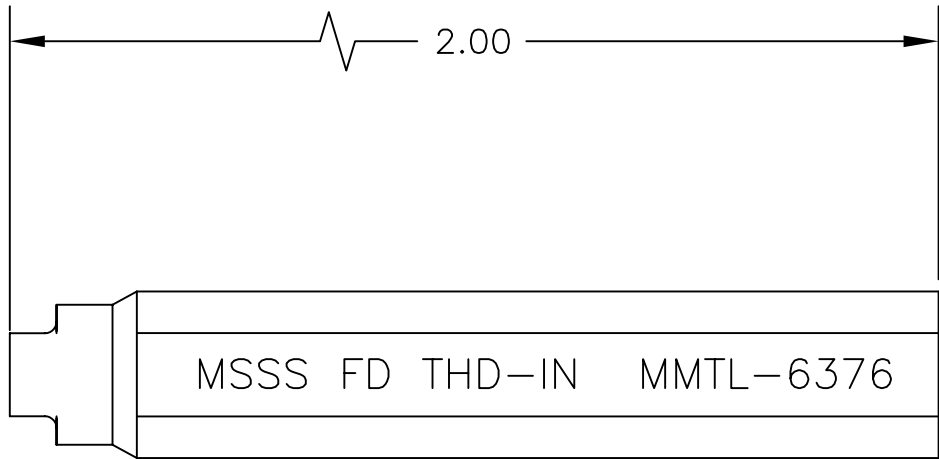
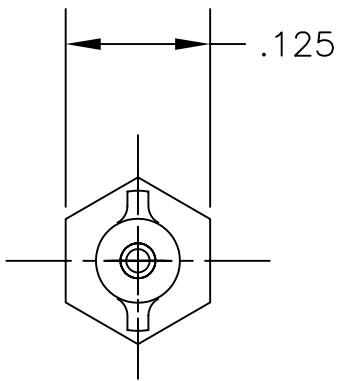


COMPONENT	MATERIAL AND FINISH
TOOL	416 STAINLESS STEEL PER ASTM A582

PART NO. MMTL-6376



OUTLINE DRAWING



MICRO-MODE PRODUCTS, INC.
The Reliable Connection to the Future

El Cajon, CA 92020
 ph 619.449.3844
 www.micromode.com

CAGE CODE
 15907

ASSY PROCEDURES: N/A	SHROUD INSTALLATION TOOL FULL DETENT, THREAD-IN	PART NO. MMTL-6376	REVISION
TOOLS: N/A			B
SHEET 1 OF 1	OL6376 10-25-01 RF EB		