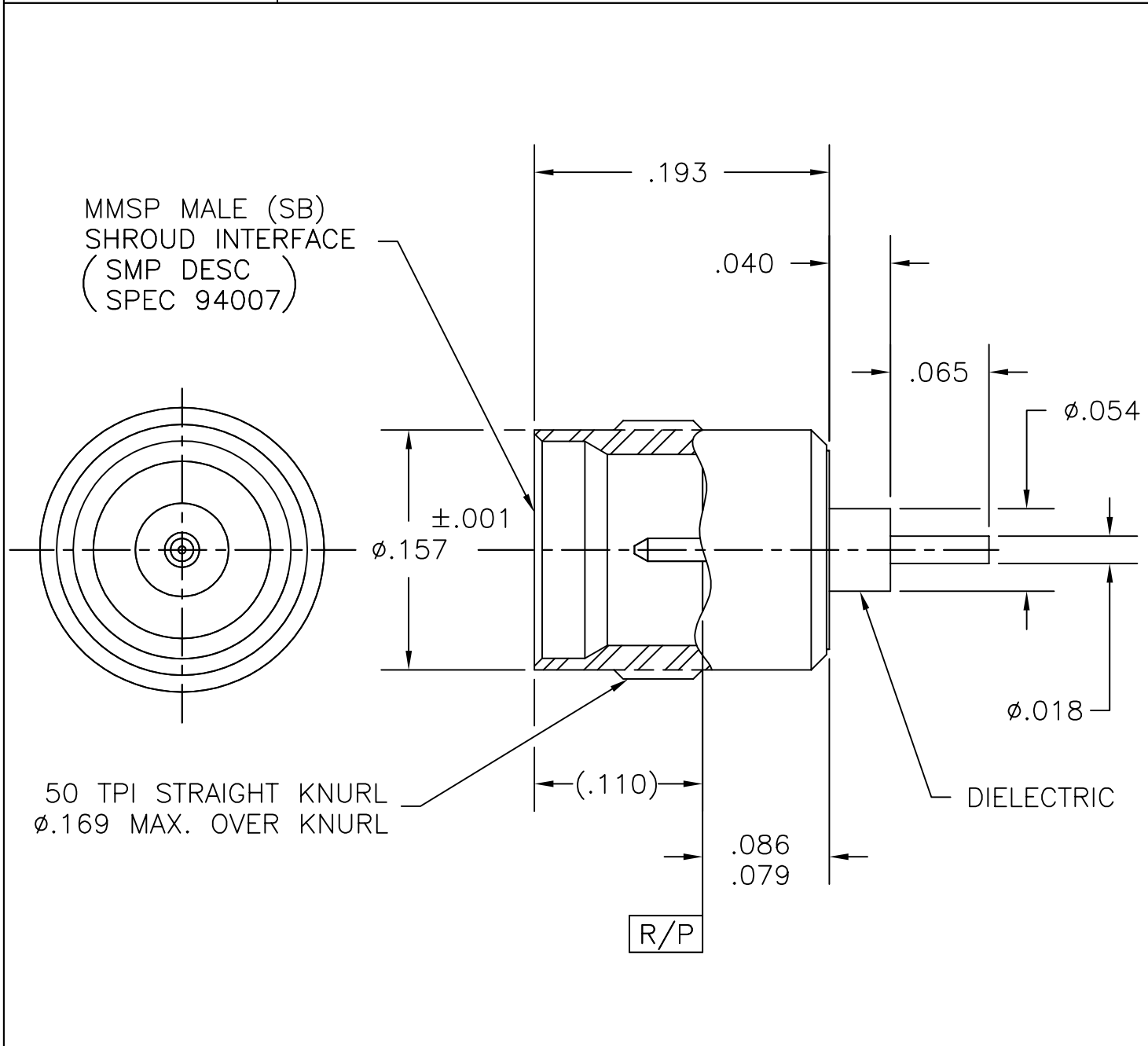



COMPONENT	MATERIAL AND FINISH	
CONTACT	BeCu, ASTM B196, UNS C17300	GOLD PLATE, MIL-G-45204, TYPE 1, GRADE C, CLASS 1
INSULATOR	PTFE, ASTM D1710, TYPE I, GRADE 1, CLASS A	
SHROUD, BUSHING	303 CRES, ASTM A582	PASSIVATE, QQ-P-35

PART NO. MMSP-6204

OUTLINE DRAWING



 <b>MICRO-MODE PRODUCTS, INC.</b> <i>The Reliable Connection to the Future</i>	El Cajon, CA 92020 Peoria, AZ 85345 (619) 449-3844 (602) 334-8944	CAGE CODE 15907
	ASSY PROCEDURES: .	
TOOL: MMTL-6205	MMSP, MALE, SMOOTH BORE, PRESS-IN, STRAIGHT TERMINAL	
SHEET 1 OF 1   OL6204 9-25-98 PC EB	PART NO. MMSP-6204	REVISION —