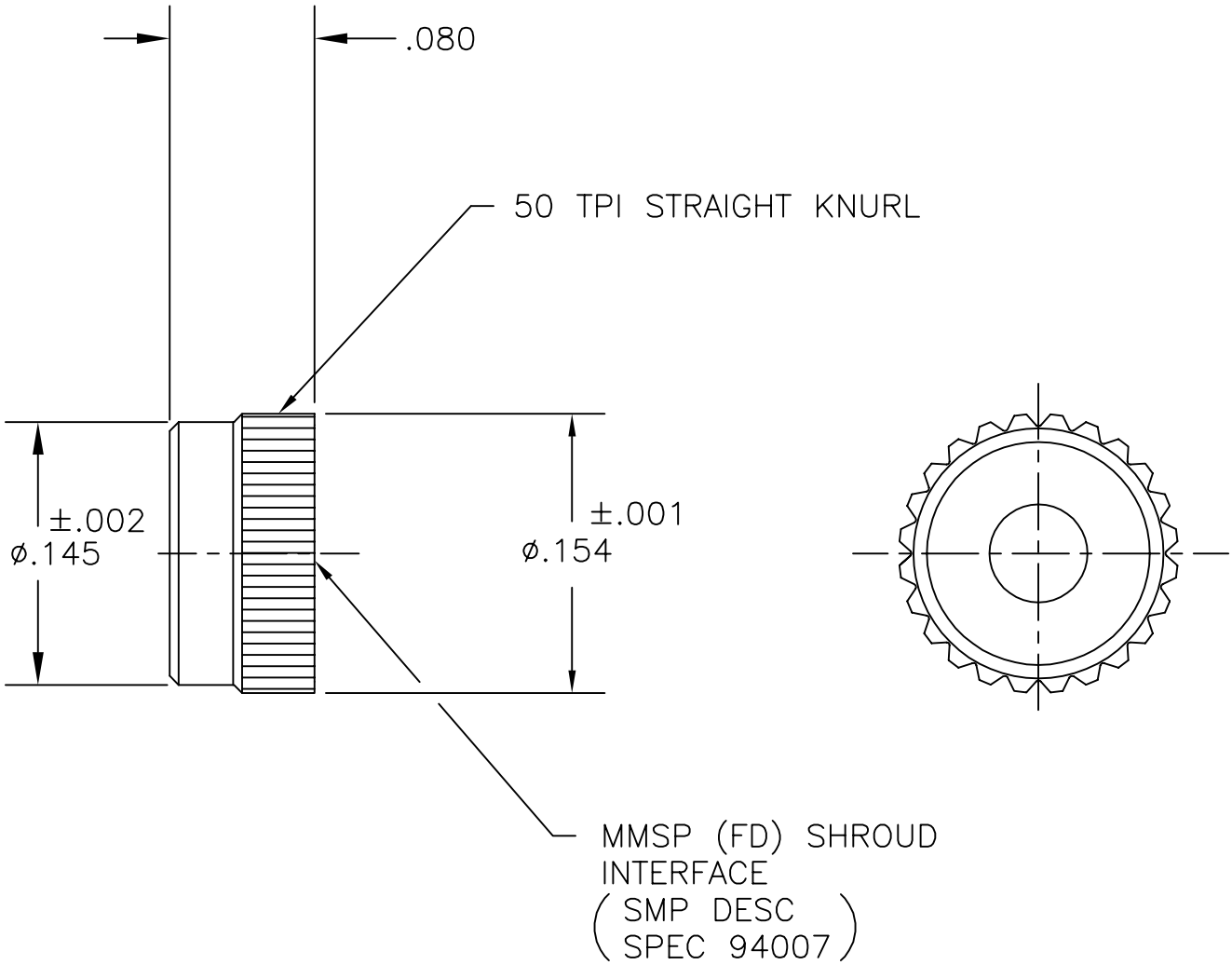


COMPONENT	MATERIAL AND FINISH	
SHROUD	303 CRES, ASTM A582	PASSIVATE, AMS-QQ-P-35

PART NO. MMSP-6199

OUTLINE DRAWING



MICRO-MODE PRODUCTS, INC.
The Reliable Connection to the Future

El Cajon, CA 92020
 ph 619.449.3844
 www.micromode.com

CAGE CODE
 15907

ASSY PROCEDURES: MMAP-7685

TOOL: MMTL-6207

MMSP, FULL DETENT
 PRESS-IN SHROUD

PART NO.

MMSP-6199

REVISION

—

SHEET 1 OF 1 OL6199 9-25-98 PC EB