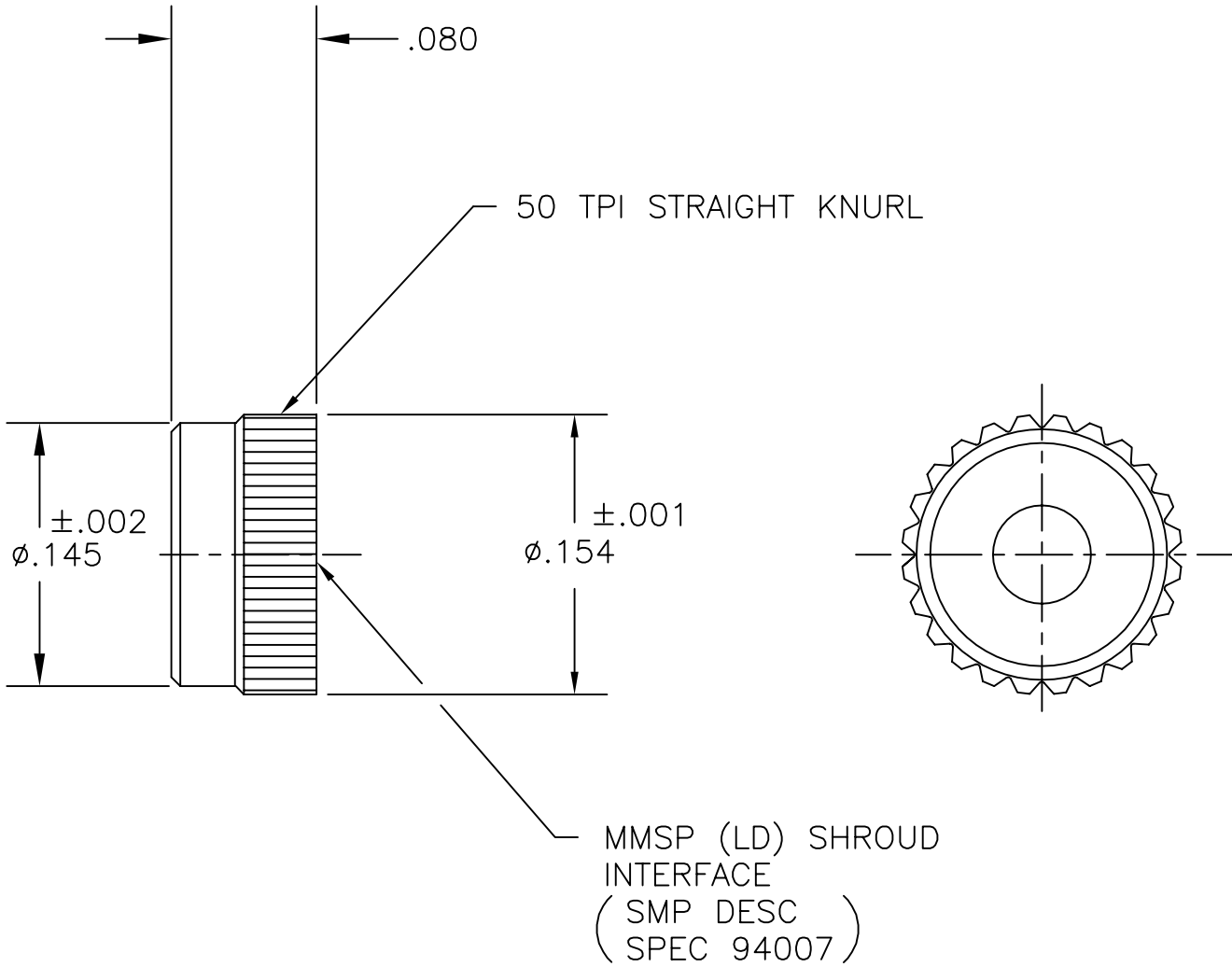


COMPONENT	MATERIAL AND FINISH	
SHROUD	303 CRES, ASTM A582	PASSIVATE, AMS-QQ-P-35

PART NO. MMSP-6198

OUTLINE DRAWING



MICRO-MODE PRODUCTS, INC.
The Reliable Connection to the Future

El Cajon, CA 92020
 ph 619.449.3844
 www.micromode.com

CAGE CODE
 15907

ASSY PROCEDURES: MMAP-7685		MMSP, LIMITED DETENT PRESS-IN SHROUD	
TOOL: MMTL-6206			
SHEET 1 OF 1		PART NO.	REVISION
OL6198 9-25-98 PC EB		MMSP-6198	—