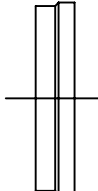
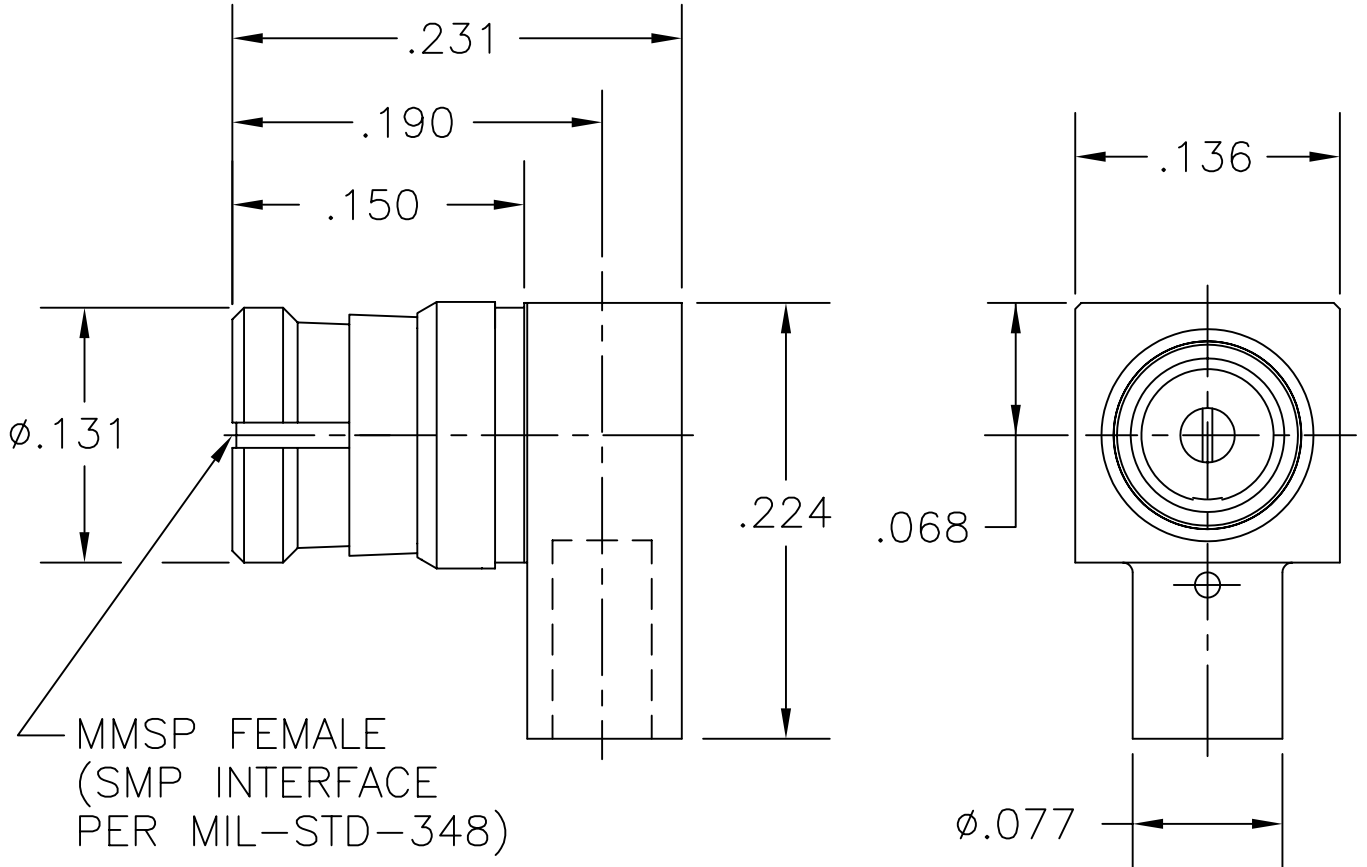
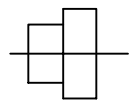


COMPONENT	MATERIAL AND FINISH	
BODY, CONTACT, ANTI-ROCK RING, EMI RING & CAP	BeCu, ASTM B196, UNS C17300	GOLD PLATE, MIL-G-45204, TYPE 1, GRADE C, CLASS 1
DIELECTRIC BEAD	TORLON (POLYAMIDE-IMIDE), MIL-P-46179, TYPE 1	


PART NO. MMSP-5960  
OUTLINE DRAWING



END CAP



DIELECTRIC BEAD

	<b>MICRO-MODE PRODUCTS, INC.</b> <i>The Reliable Connection to the Future</i>	El Cajon, CA 92020 ph 619.449.3844 <a href="http://www.micromode.com">www.micromode.com</a>	CAGE CODE 15907
ASSY PROCEDURES: MMAP-5961		MMSP FEMALE R/A TO .047 LL CABLE	
INSERTION/EXTRACTION TOOL: MMTL-2681/MMTL-2682			
SHEET 1 OF 1	OL5960 4-17-03 RF MP	PART NO. <b>MMSP-5960</b>	REVISION <b>02</b>