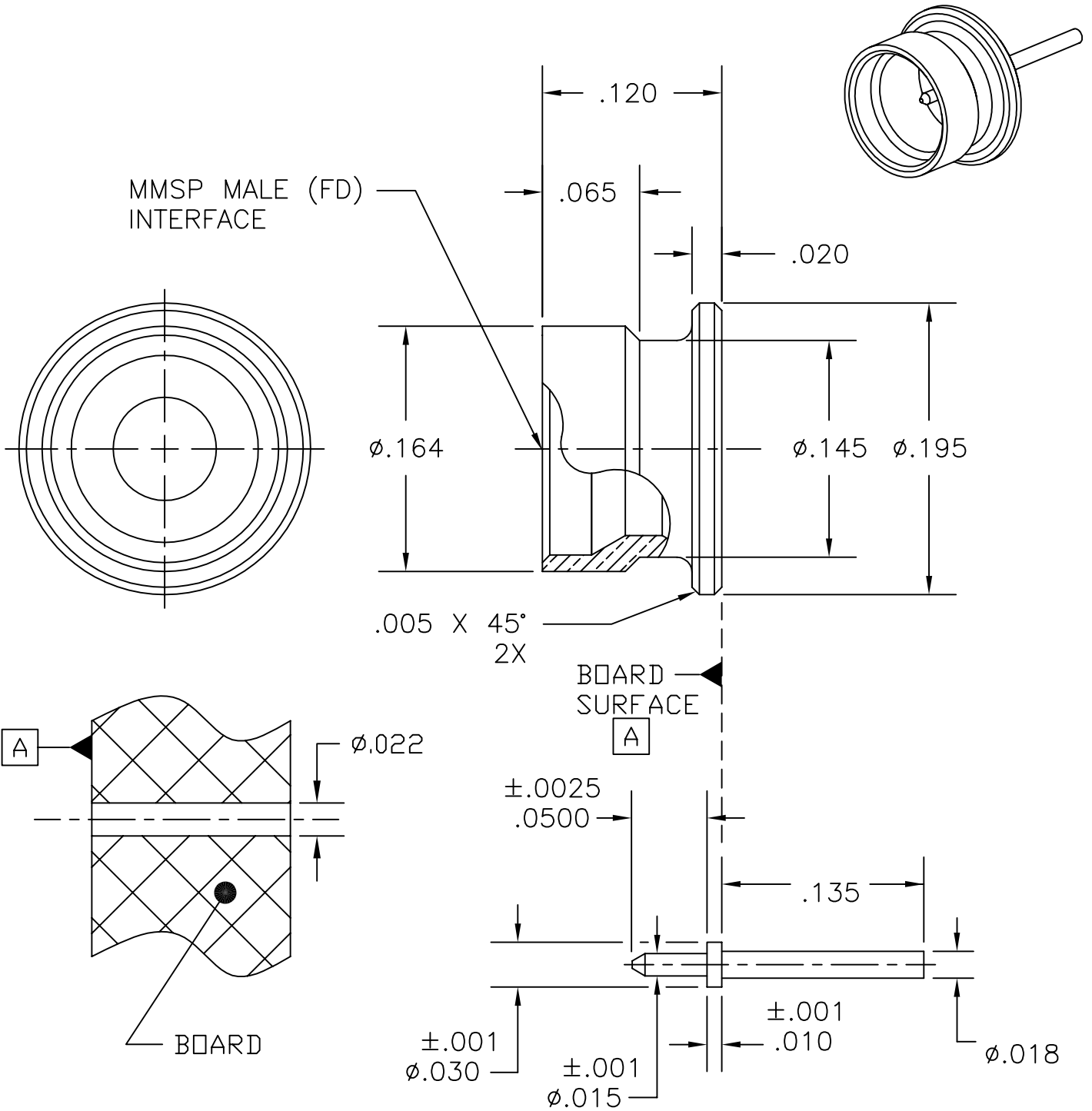


|             |                               |   |
|-------------|-------------------------------|---|
| COMPONENT   | MATERIAL AND FINISH           |   |
| SHROUD, PIN | BeCu, ASTM B196<br>UNS C17300 | GOLD PLATE, MIL-G-45204<br>TYPE 1, GRADE C, CLASS 1 |

PART NO. MMSP-5948

OUTLINE DRAWING



MICRO-MODE PRODUCTS, INC.  
*The Reliable Connection to the Future*

El Cajon, CA 92020  
ph 619.449.3844  
www.micromode.com

CAGE CODE  
15907

|  |
|--|
| ASSY PROCEDURES: N/A                   |
| INSERTION/EXTRACTION TOOL: MMTL-3433-1 |
| SHEET 1 OF 1   OL5948 4-15-03 RF DR    |

|  |
|--|
| MMSP, FULL DETENT SHROUD<br>SOLDER ATTACH WITH PIN |
| PART NO. MMSP-5948                                 |
| REVISION —   |