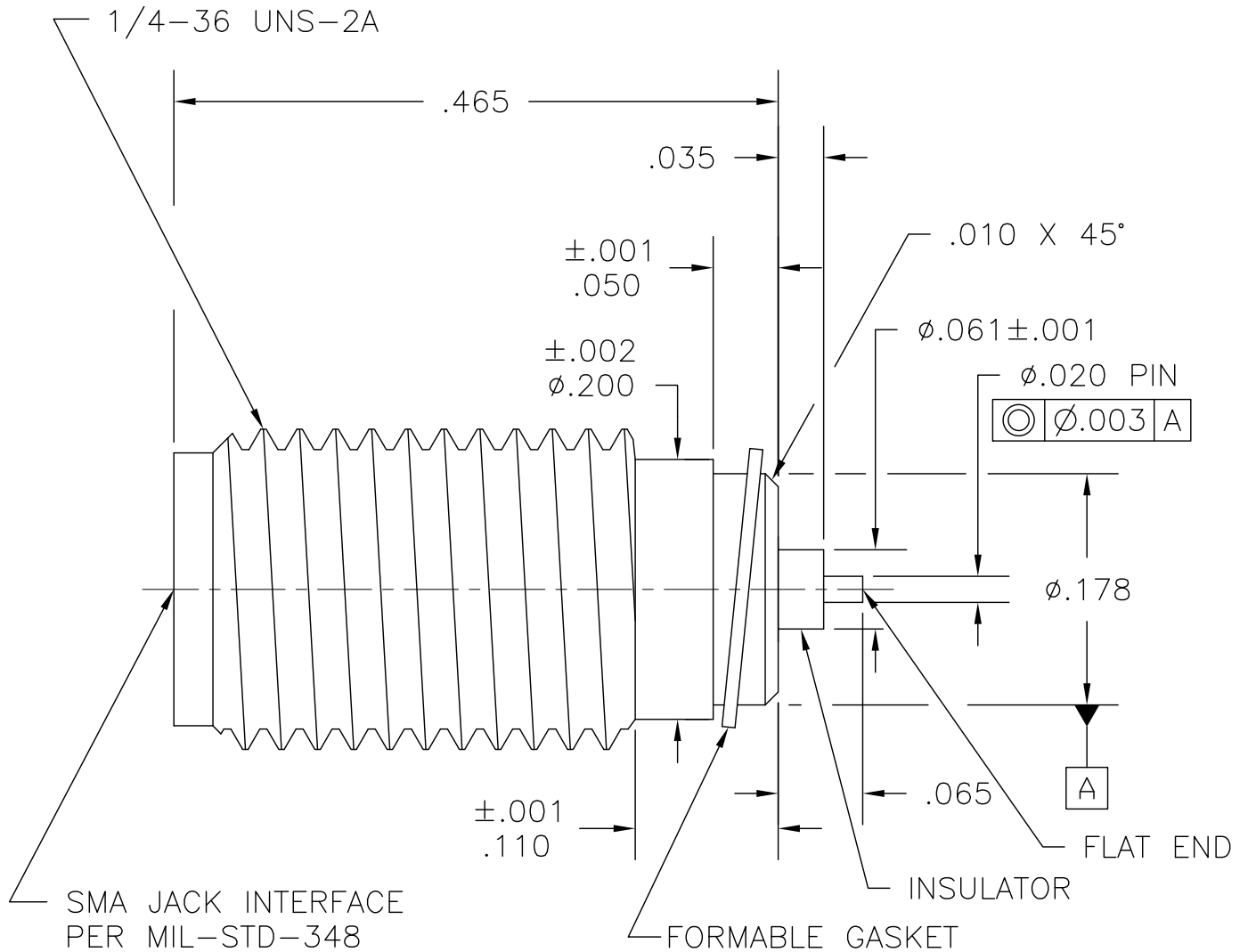


COMPONENT	MATERIAL AND FINISH	
CONTACT	BeCu, ASTM B196, UNS C17300	GOLD PLATE, MIL-G-45204, TYPE 1, GRADE C, CLASS 1
INSULATOR	PTFE, ASTM D1710, TYPE I, GRADE 1, CLASS A	
BODY, PIN	KOVAR MIL-I-23011, CLASS 1	GOLD PLATE, MIL-G-45204, TYPE 1, GRADE C, CLASS 1
GLASS	CORNING #7070 OR EQUIVALENT	
GASKET	COPPER, ASTM B187	

PART NO. MSMA-5352

OUTLINE DRAWING



MICRO-MODE PRODUCTS, INC.
The Reliable Connection to the Future

El Cajon, CA 92020
ph 619.449.3844
www.micromode.com

CAGE CODE
15907

ASSY PROCEDURES: MMAP-5683

INSERTION/EXTRACTION TOOL: N/A

DEFAULT TOLERANCES: .XXX ±.005 .XX ±.01

SHEET 1 OF 1 | OL5352 6-14-02 JC MP

SMA JACK, SPARK PLUG,
HERMETIC

PART NO.

MSMA-5352

REVISION

A