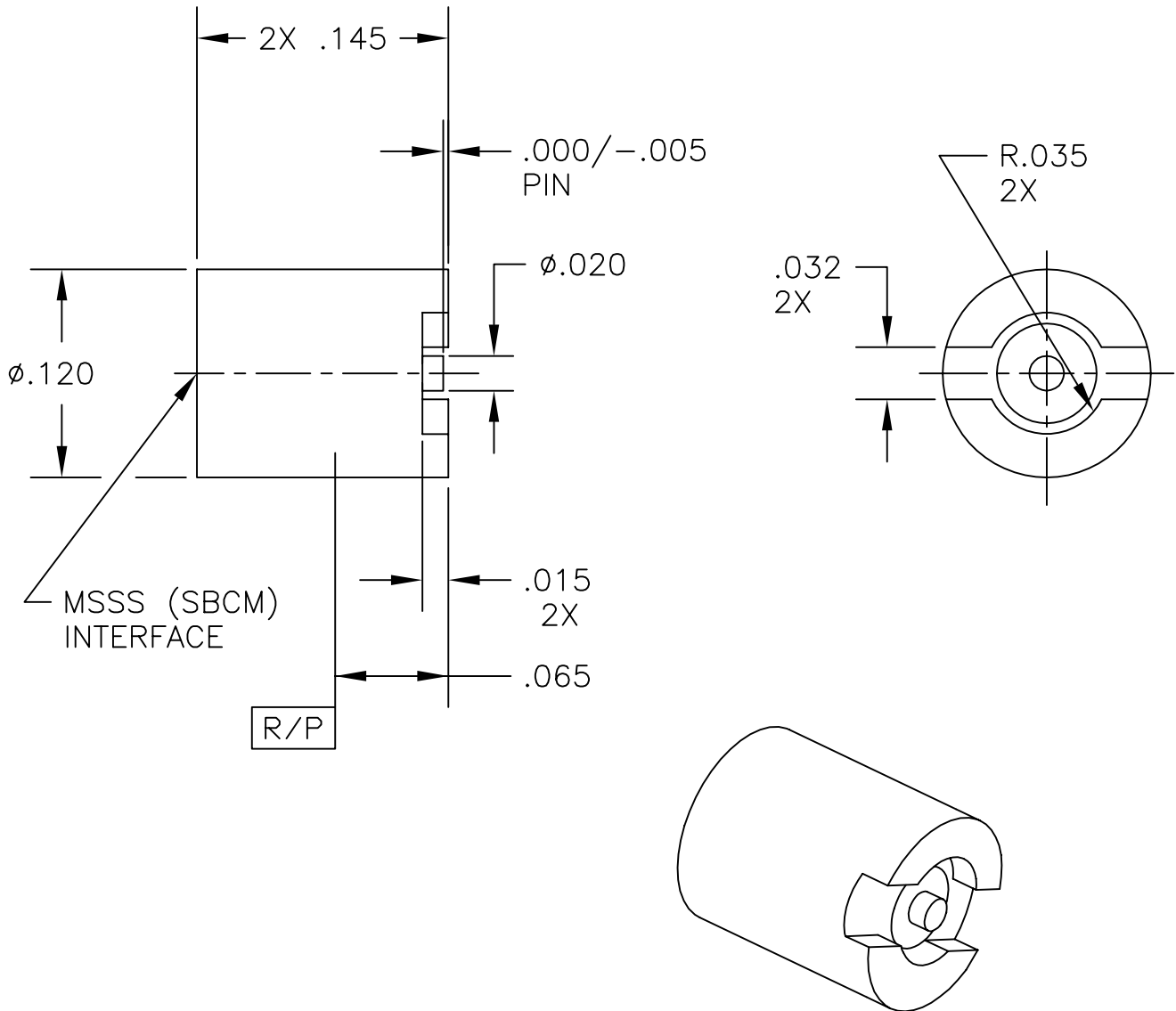


COMPONENT	MATERIAL AND FINISH	
BODY & PIN	KOVAR, MIL-I-23011 ASTM F-15	GOLD PLATE, MIL-G-45204, TYPE I, GRADE C, CLASS 1
GLASS	CORNING #7070, GREEN OR EQUIVALENT	

PART NO. MSSS-5270



OUTLINE DRAWING



MICRO-MODE PRODUCTS, INC.  
*The Reliable Connection to the Future*

El Cajon, CA 92020  
ph 619.449.3844  
www.micromode.com

CAGE CODE  
15907

ASSY PROCEDURES: N/A

INSERTION/EXTRACTION TOOL: N/A

MSSS, MALE, SBCM,  
SURFACE MOUNT, STRAIGHT PIN

PART NO.

MSSS-5270

REVISION

01

SHEET 1 OF 1 | OL5270 5-31-02 MP RF