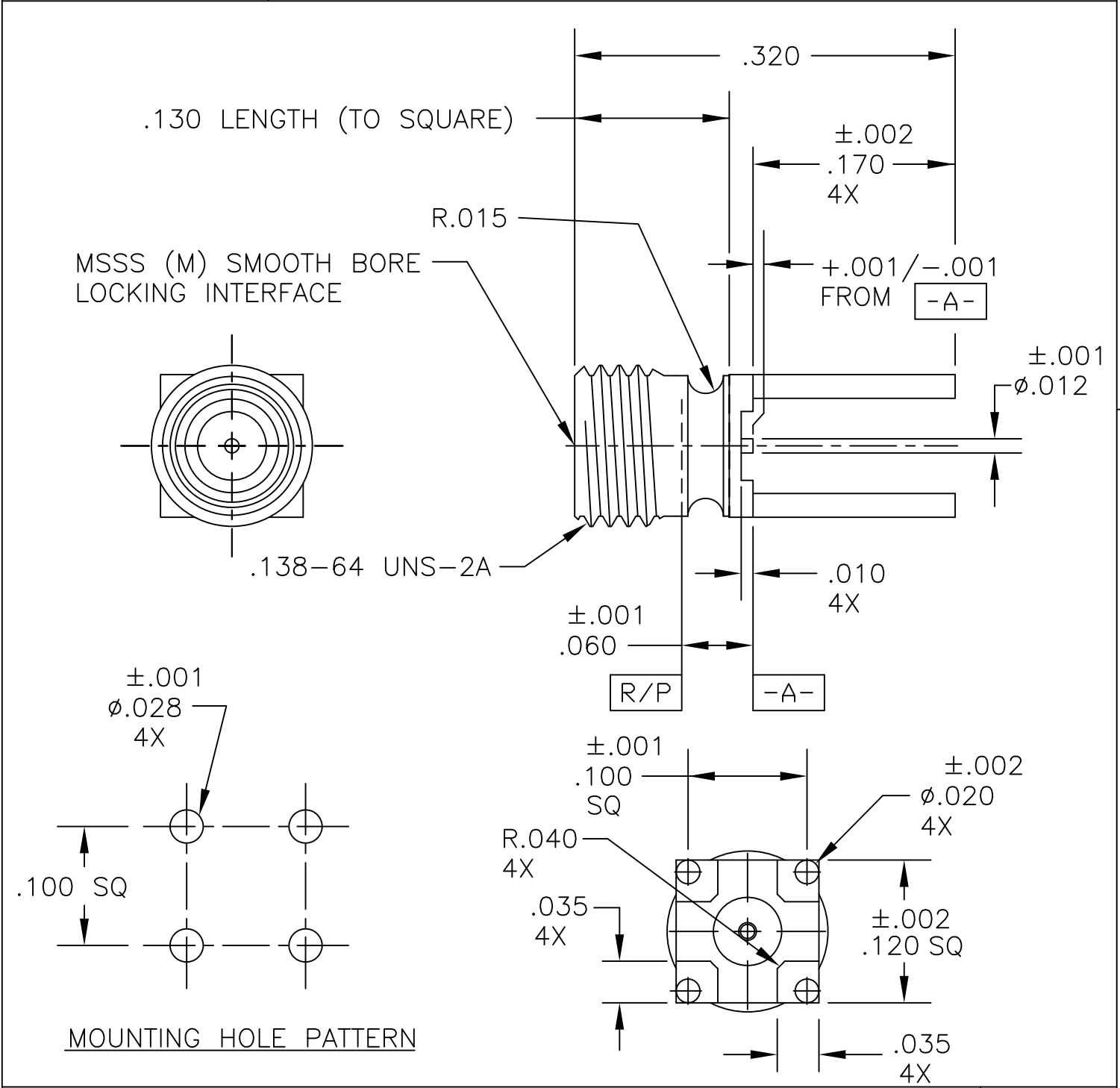


COMPONENT	MATERIAL AND FINISH	
BODY, PIN	KOVAR PER MIL-I-23011 ASTM F-15	GOLD PLATE, MIL-G-45204, TYPE 1, GRADE C, CLASS 1
GLASS	CORNING #7070 OR EQUIVALENT	

PART NO. MSSS-4846

OUTLINE DRAWING



	<b>MICRO-MODE PRODUCTS, INC.</b> <i>The Reliable Connection to the Future</i>	El Cajon, CA 92020 ph 619.449.3844 www.micromode.com	CAGE CODE 15907
--	--	--	--------------------

ASSY PROCEDURES: N/A
INSERTION/EXTRACTION TOOL: N/A
SHEET 1 OF 1   OL4846 11-14-01 EB RF

MSSS (SB-LOCKING) TO PCB MOUNT	
PART NO. <b>MSSS-4846</b>	REVISION <b>B</b>