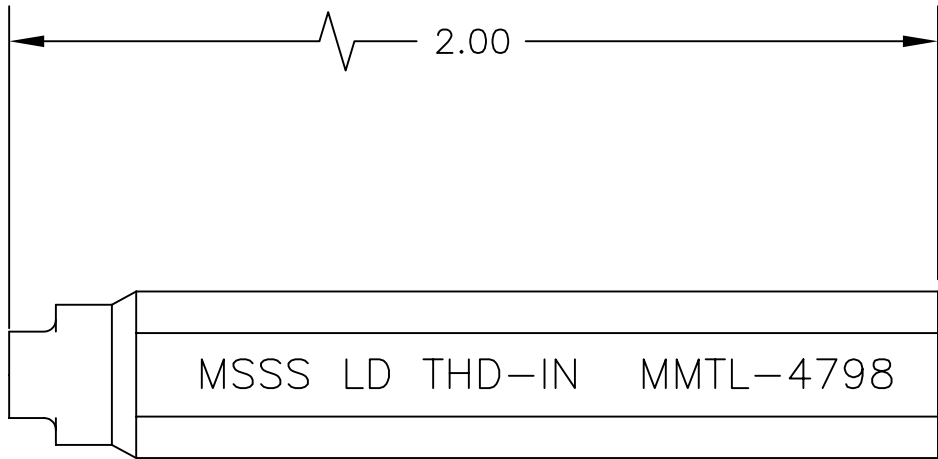
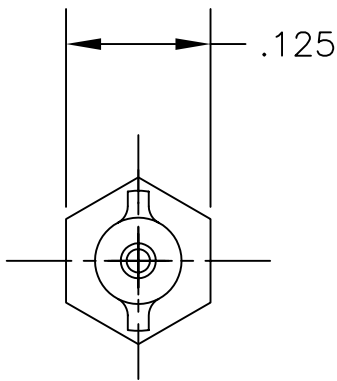


COMPONENT	MATERIAL AND FINISH
TOOL	416 STAINLESS STEEL PER ASTM A582

PART NO. MMTL-4798



OUTLINE DRAWING



MICRO-MODE PRODUCTS, INC.  
*The Reliable Connection to the Future*

El Cajon, CA 92020  
 ph 619.449.3844  
 www.micromode.com

CAGE CODE  
 15907

ASSY PROCEDURES: N/A	SHROUD INSTALLATION TOOL	
TOOLS: N/A	LIMITED DETENT, THREAD-IN	
SHEET 1 OF 1	OL4798 10-25-01 RF EB	REVISION
		A
		PART NO. MMTL-4798