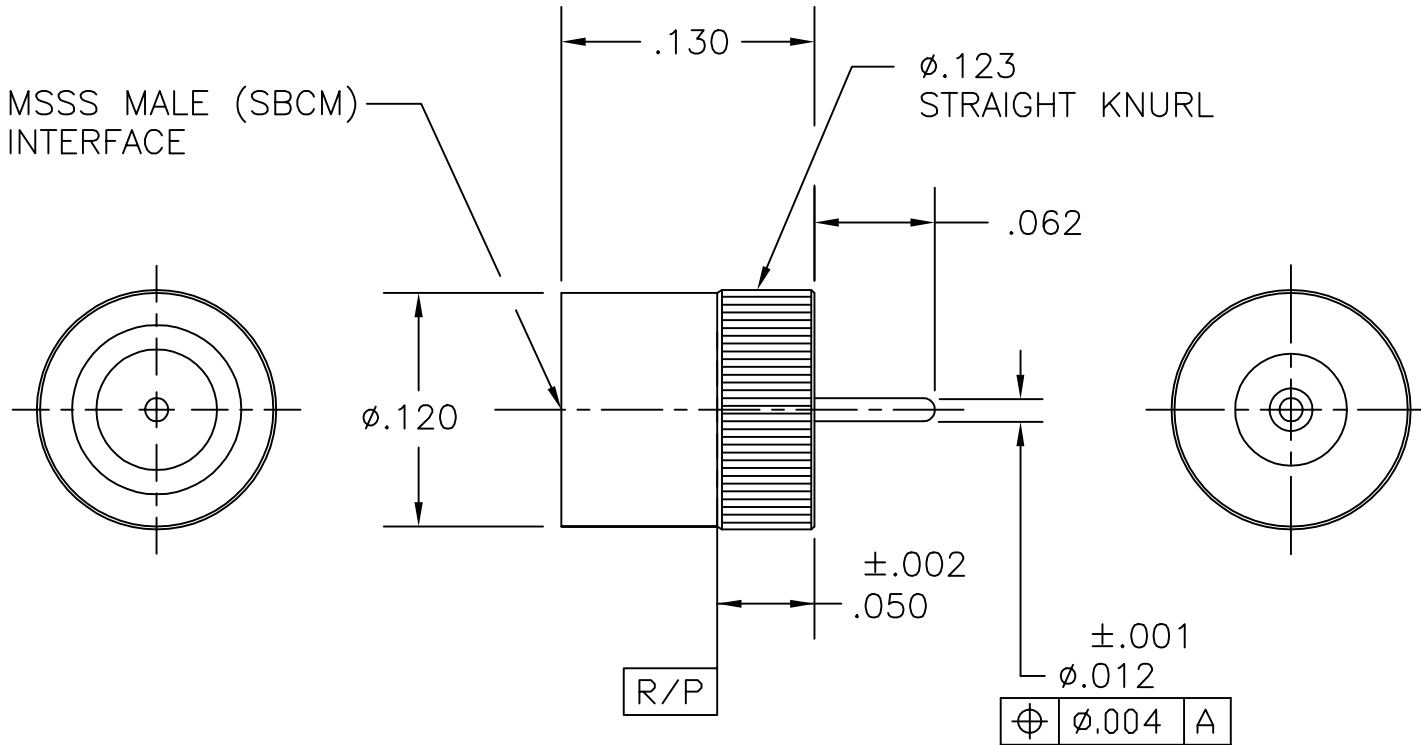


COMPONENT	MATERIAL AND FINISH	
BODY & PIN	KOVAR, MIL-I-23011, ASTM F15	GOLD PLATE, MIL-G-45204, TYPE 1, GRADE C, CLASS 1
GLASS	CORNING #7070 OR EQUIVALENT	

PART NO. MSSS-4738



OUTLINE DRAWING

This drawing and any data contained therein is the property of Micro-Mode Products, Inc., and constitutes and contains proprietary and confidential information. Neither receipt nor possession of this drawing confers or transfers any right to duplicate, use, or disclose any information contained herein except as expressly authorized by Micro-Mode Products Inc.

 MICRO-MODE PRODUCTS, INC. <i>The Reliable Connection to the Future</i>	El Cajon, CA 92020 ph 619.449.3844 www.micromode.com	CAGE CODE 15907

ASSY PROCEDURE: MMAP-4785	MSSS, MALE, SMOOTH BORE CATCHER'S MITT, HERMETIC SHROUD(0.012 LAUNCH)	
INSTALLATION TOOL: MMTL-4784	PART NO.	REVISION
SHEET 1 OF 1	OL4738 8-8-01	EB MP
		MSSS-4738
		02