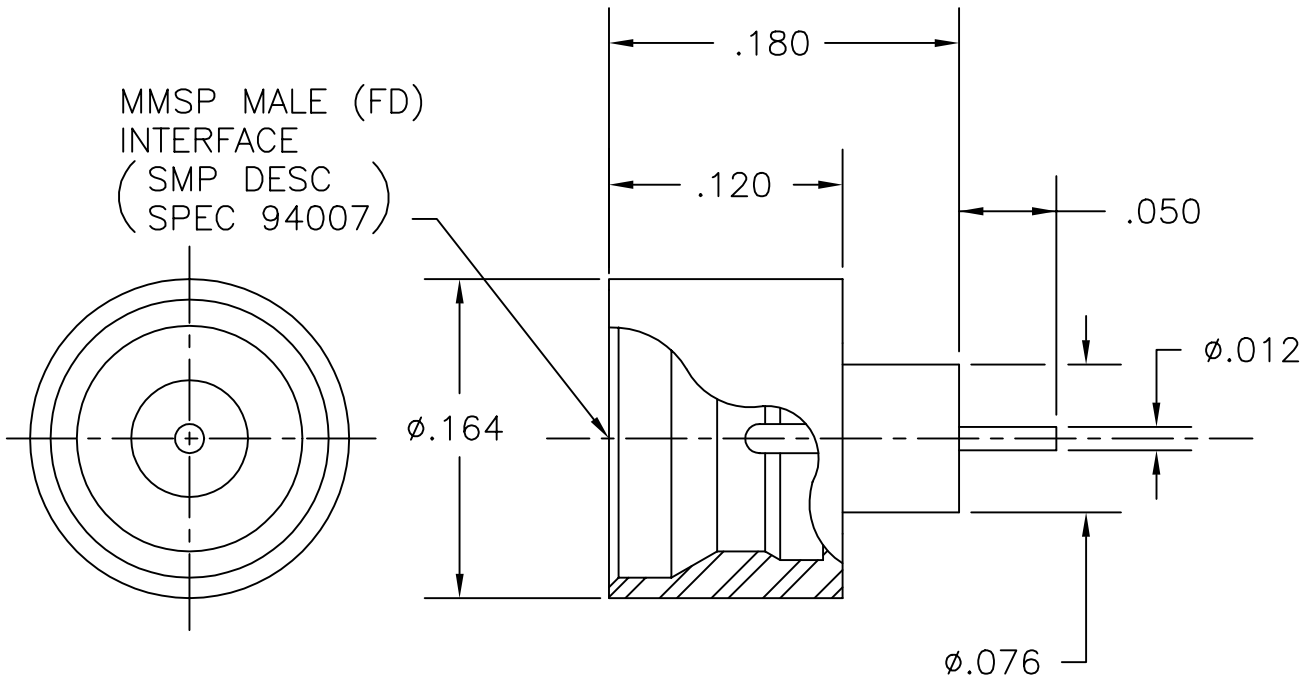


| COMPONENT | MATERIAL AND FINISH | |
|------------|------------------------------------|--|
| BODY & PIN | KOVAR PER MIL-I-23011 ASTM F-15 | GOLD PLATE, MIL-G-45204, TYPE 1, GRADE C, CLASS 1 |
| GLASS | CORNING #7070 OR EQUIVALENT | |

PART NO. MMSP-4254



OUTLINE DRAWING



MICRO-MODE PRODUCTS, INC.
The Reliable Connection to the Future

El Cajon, CA 92020
(619) 449-3844

CAGE CODE
15907

ASSY PROCEDURES: MMAP-2695

LOCATOR TOOL: MMTL-2696

MMSP, MALE, FULL DETENT
HERMETIC SHROUD

PART NO.

MMSP-4254

REVISION

—

SHEET 1 OF 1 | OL4254 5-4-01 | RF EB