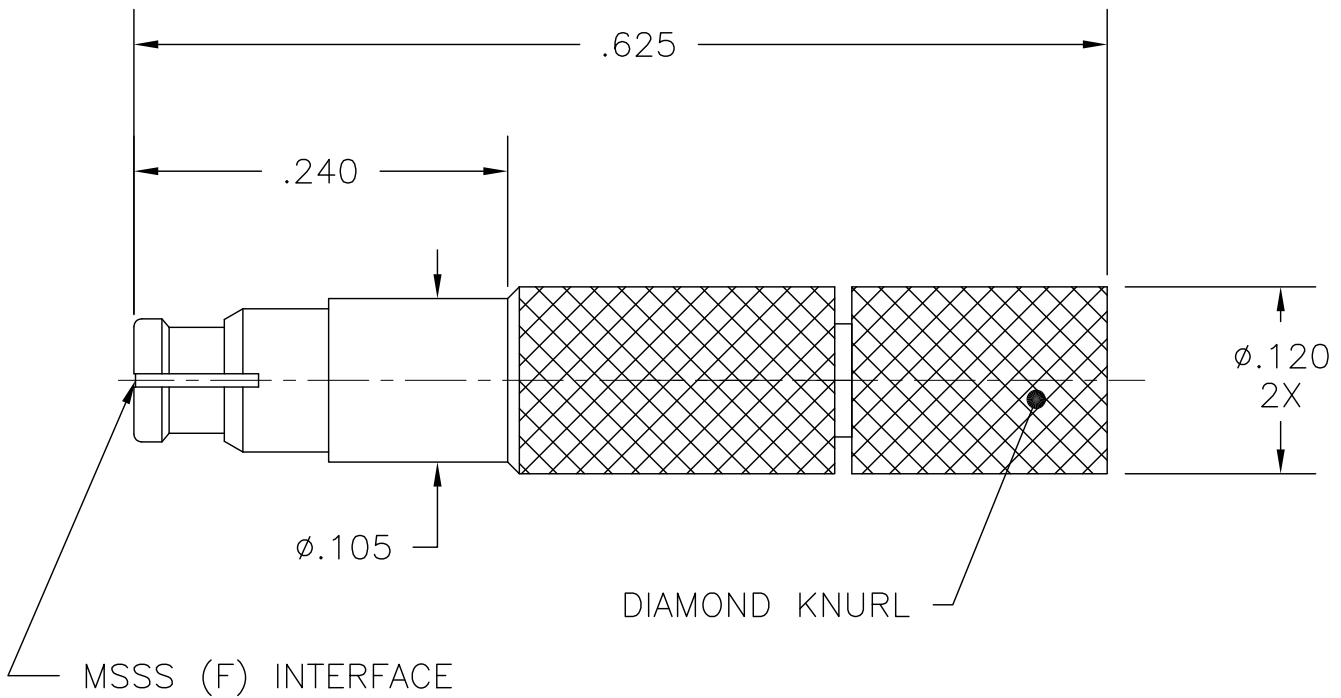


COMPONENT	MATERIAL AND FINISH	
BODY & CONTACT	BeCu, ASTM B196, UNS C17300	GOLD PLATE, MIL-G-45204, TYPE 1, GRADE C, CLASS 1
INSULATOR	PTFE, ASTM D1710, TYPE I, GRADE 1, CLASS A	
END CAP	303 CRES ASTM A582	PASSIVATE, AMS-QQ-P-35

PART NO. MSSS-4242



OUTLINE DRAWING



MICRO-MODE PRODUCTS, INC.
The Reliable Connection to the Future

El Cajon, CA 92020
ph 619.449.3844
www.micromode.com

CAGE CODE
15907

ASSY PROCEDURES:

INSERTION/EXTRACTION TOOL:

MSSS, FEMALE, BLINDMATE
TERMINATION, 50-OHMS

PART NO.

REVISION

SHEET 1 OF 1 | OL4242 4-3-01 | RF EB

MSSS-4242

F