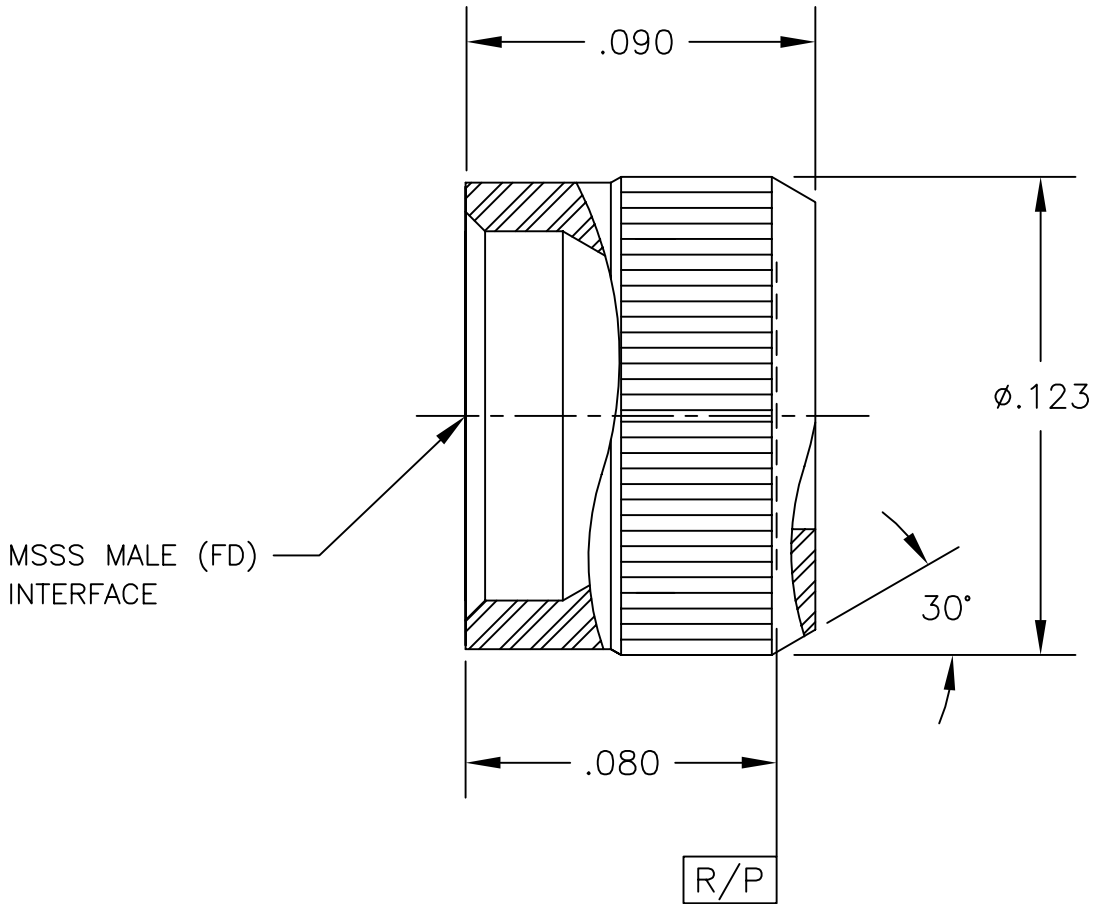


COMPONENT	MATERIAL AND FINISH	
SHROUD	303 CRES, ASTM A582	PASSIVATE, AMS-QQ-P-35

PART NO. MSSS-4174

OUTLINE DRAWING



MICRO-MODE PRODUCTS, INC.
The Reliable Connection to the Future

El Cajon, CA 92020
 ph 619.449.3844
 www.micromode.com

CAGE CODE
 15907

ASSY PROCEDURES:

INSERTION/EXTRACTION TOOL:

MSSS SHROUD, FULL DETENT,
 PRESS-IN, MODIFIED AIRLINE

SHEET 1 OF 1

OL4174 3-2-01 MP .

PART NO.

MSSS-4174

REVISION

A