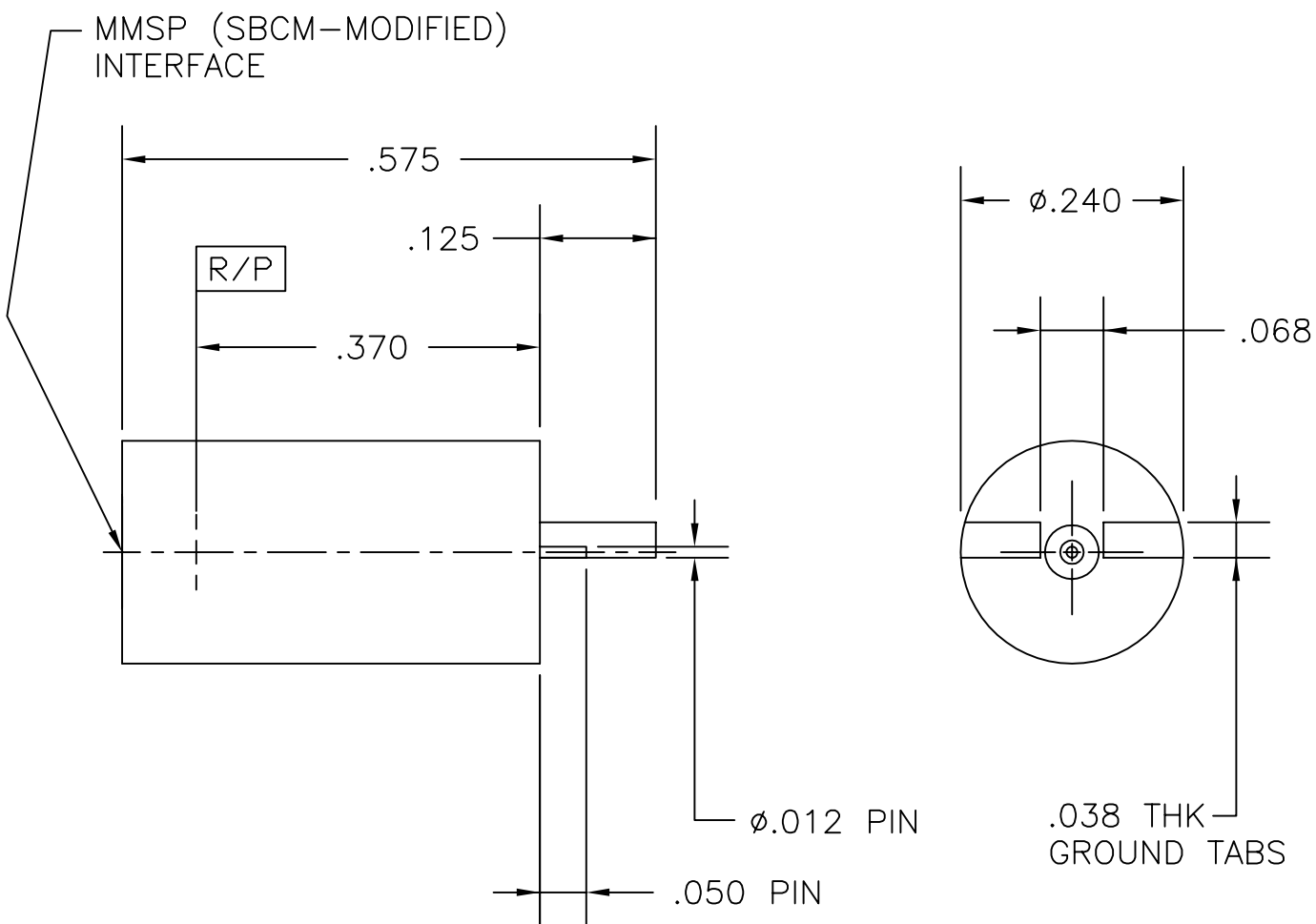


COMPONENT	MATERIAL AND FINISH	
BODY	BRASS, ASTM B16 UNS C36000	GOLD PLATE, MIL-G-45204, TYPE 1, GRADE C, CLASS 1
CONTACT	BeCu, ASTM B196, UNS C17300	GOLD PLATE, MIL-G-45204, TYPE 1, GRADE C, CLASS 1
INSULATORS	PTFE, ASTM D1710, TYPE I, GRADE 1, CLASS A	
MSSS SHROUD	BeCu, ASTM B196, UNS C17300	GOLD PLATE, MIL-G-45204, TYPE 1, GRADE C, CLASS 1

PART NO. MSSS-3788

OUTLINE DRAWING



MICRO-MODE PRODUCTS, INC.
The Reliable Connection to the Future

El Cajon, CA 92020
ph 619.449.3844
www.micromode.com

CAGE CODE
15907

ASSY PROCEDURES: N/A

INSERTION/EXTRACTION TOOL: N/A

MSSS, MODIFIED SMOOTH BORE
CATCHERS MITT TO PCB LAUNCH

PART NO.

MSSS-3788

REVISION

04

SHEET 1 OF 1 OL3788 8-10-00 EB