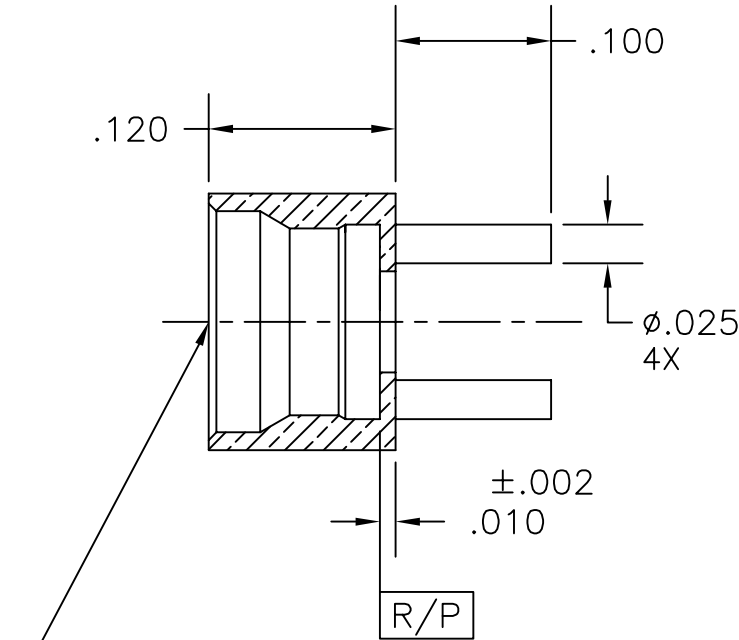


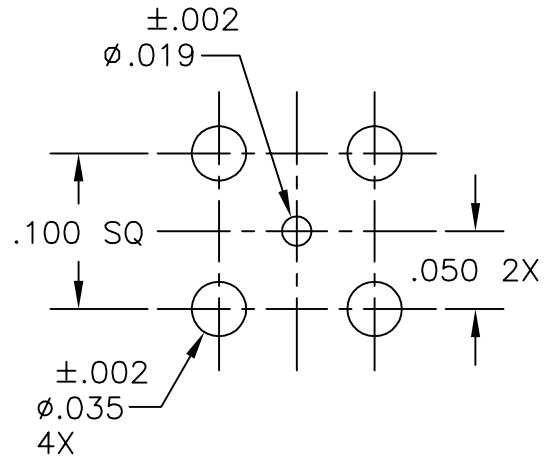
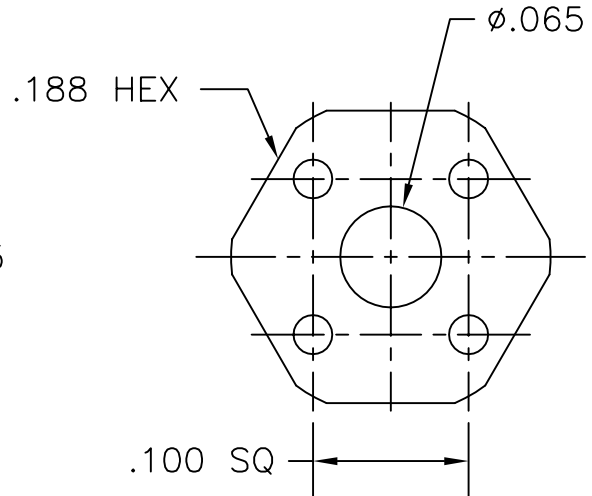
COMPONENT	MATERIAL AND FINISH	
BODY & CONTACT	BeCu, ASTM B196, UNS C17300	GOLD PLATE, MIL-G-45204, TYPE 1, GRADE C, CLASS 1

PART NO. MMSP-3780

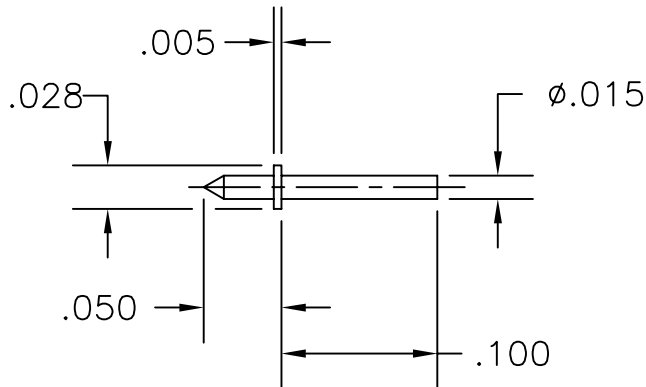
OUTLINE DRAWING



MMSP MALE (LD)
INTERFACE
(SMP DESC
SPEC 94007)



MOUNTING HOLE PATTERN



MICRO-MODE PRODUCTS, INC.
The Reliable Connection to the Future

El Cajon, CA 92020
ph 619.449.3844
www.micromode.com

CAGE CODE
15907

ASSY PROCEDURES: N/A

INSERTION/EXTRACTION TOOL: N/A

MMSP, LIMITED DETENT
TO PCB

PART NO.

MMSP-3780

REVISION

—

SHEET 1 OF 1 OL3780 08-07-2000 RF EB