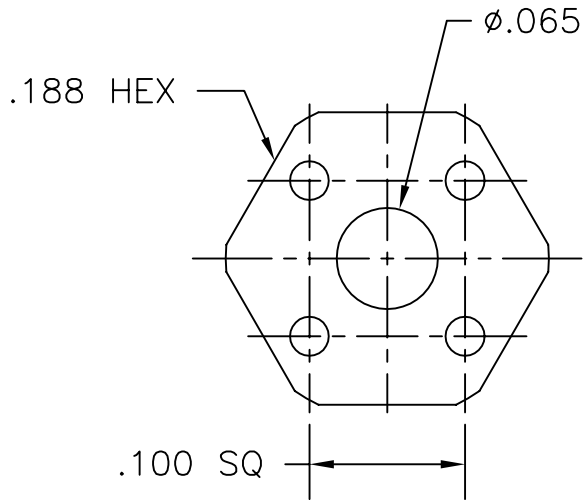
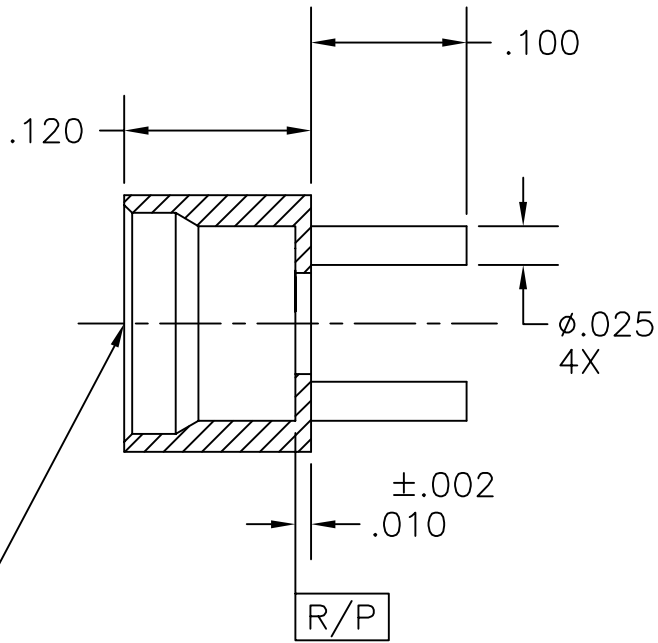


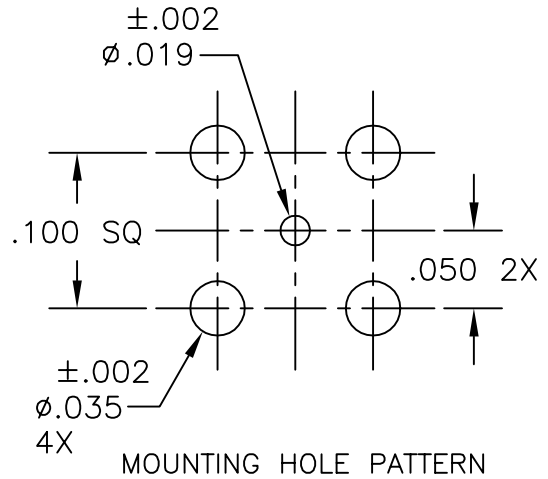
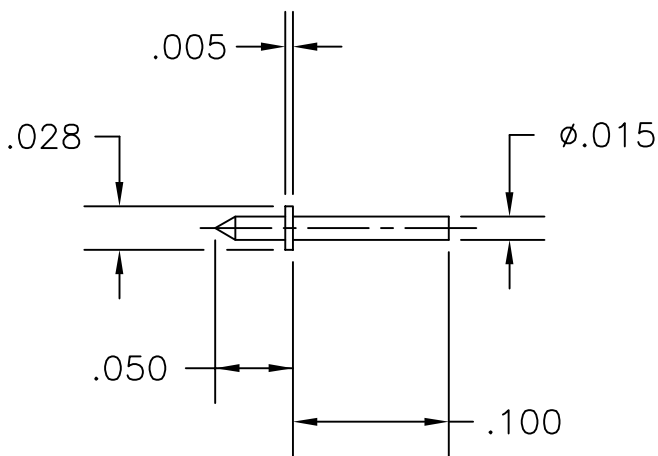
COMPONENT	MATERIAL AND FINISH	
BODY & CONTACT	BeCu, ASTM B196, UNS C17300	GOLD PLATE, MIL-G-45204, TYPE 1, GRADE C, CLASS 1

PART NO. MMSP-3779

OUTLINE DRAWING



MMSP MALE (SB)  
(SMP INTERFACE  
PER MIL-STD-348)



MICRO-MODE PRODUCTS, INC.  
*The Reliable Connection to the Future*

El Cajon, CA 92020  
ph 619.449.3844  
www.micromode.com

CAGE CODE  
15907

ASSY PROCEDURES: N/A

INSERTION/EXTRACTION TOOL: N/A

MMSP, SMOOTH BORE TO PCB

PART NO.

MMSP-3779

REVISION

—

SHEET 1 OF 1 OL3779 08-07-2000 RF EB