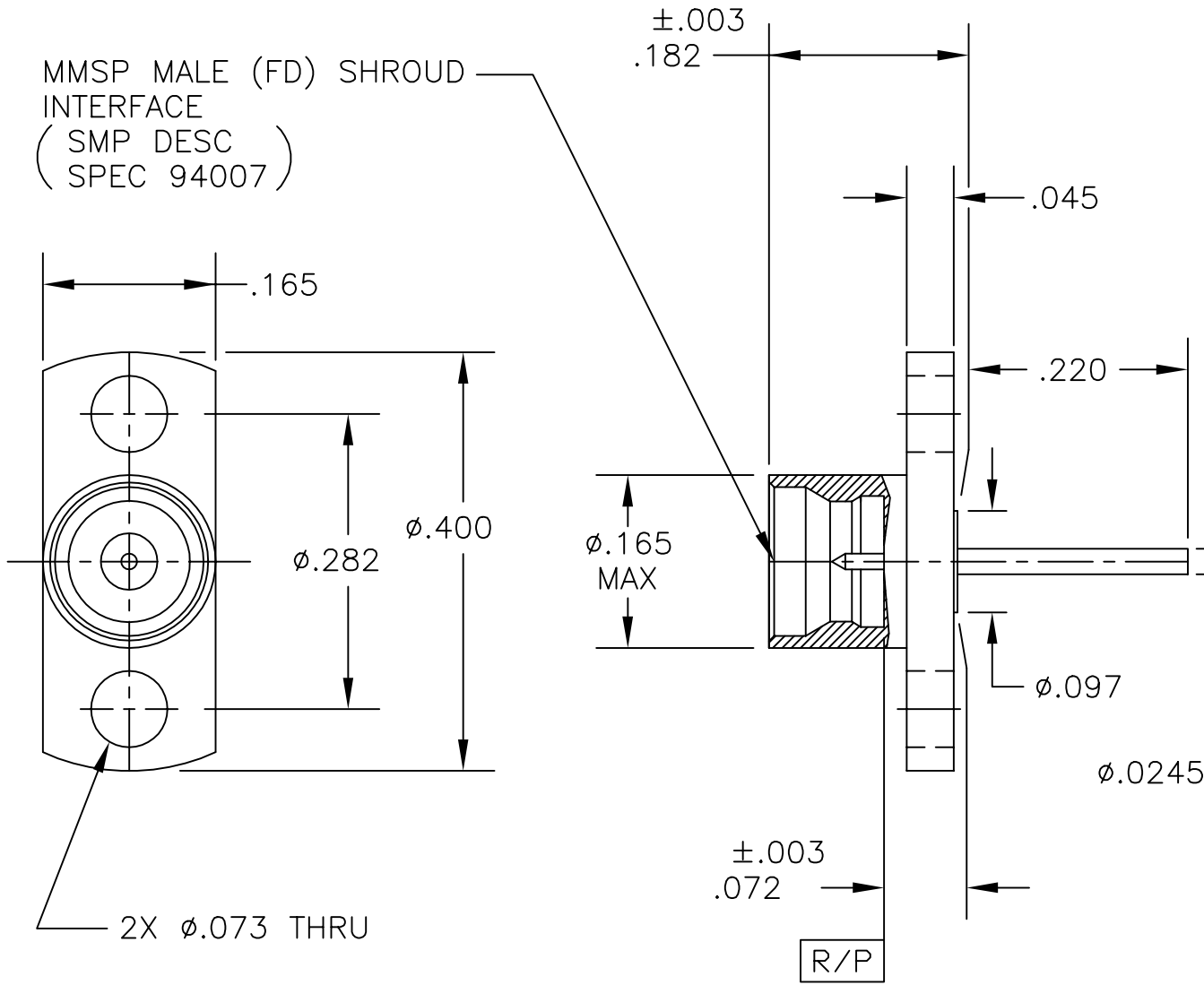


COMPONENT	MATERIAL AND FINISH	
SHROUD & BUSHING	303 CRES, ASTM A582	PASSIVATE, AMS-QQ-P-35
CONTACT	BeCu, ASTM B196, UNS C17300	GOLD PLATE, MIL-G-45204 TYPE 1, GRADE C , CLASS 1
INSULATOR	PTFE, ASTM D1710 TYPE I , GRADE 1 , CLASS A	

PART NO. MMSP-3777

OUTLINE DRAWING

MMSP MALE (FD) SHROUD  
INTERFACE  
( SMP DESC )  
( SPEC 94007 )



MICRO-MODE PRODUCTS, INC.  
*The Reliable Connection to the Future*

El Cajon, CA 92020  
(619) 449-3844

CAGE CODE  
15907

ASSY PROCEDURES:

INSERTION/EXTRACTION TOOL:

MMSP, MALE, FULL DETENT SHROUD,  
.282 HOLE SPACING, STRAIGHT TERMINAL

PART NO.

REVISION

SHEET 1 OF 1 OL3777 8-10-2000 RF EB

MMSP-3777

A