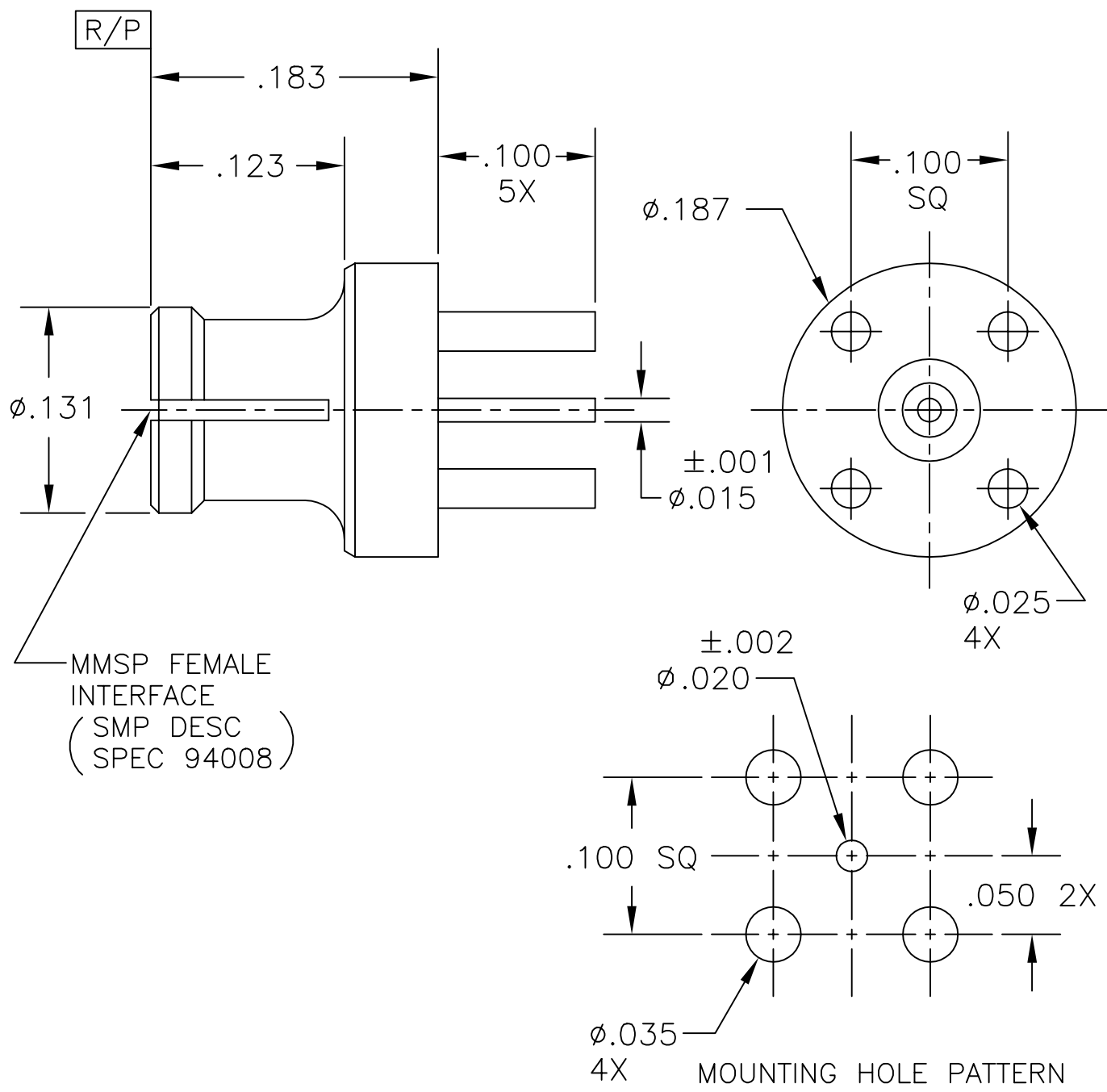


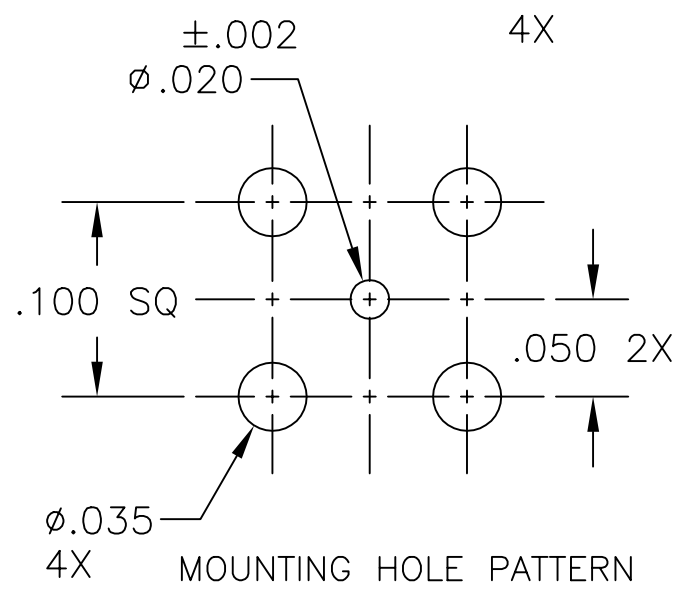
COMPONENT	MATERIAL AND FINISH	
BODY & CONTACT	BeCu, ASTM B196, UNS C17300	GOLD PLATE, MIL-G-45204, TYPE 1, GRADE C, CLASS 1
INSULATOR	PTFE, ASTM D1710 TYPE 1, GRADE 1, CLASS A	

PART NO. MMSP-3776

OUTLINE DRAWING



MMSP FEMALE
INTERFACE
(SMP DESC
SPEC 94008)



MICRO-MODE PRODUCTS, INC.
The Reliable Connection to the Future

El Cajon, CA 92020
(619) 449-3844

CAGE CODE
15907

ASSY PROCEDURES: N/A	MMSP FEMALE TO PCB MOUNT	
INSERTION/EXTRACTION TOOL: N/A	PART NO.	REVISION
SHEET 1 OF 1	OL3776 08-04-2000 RF EB	MMSP-3776 —