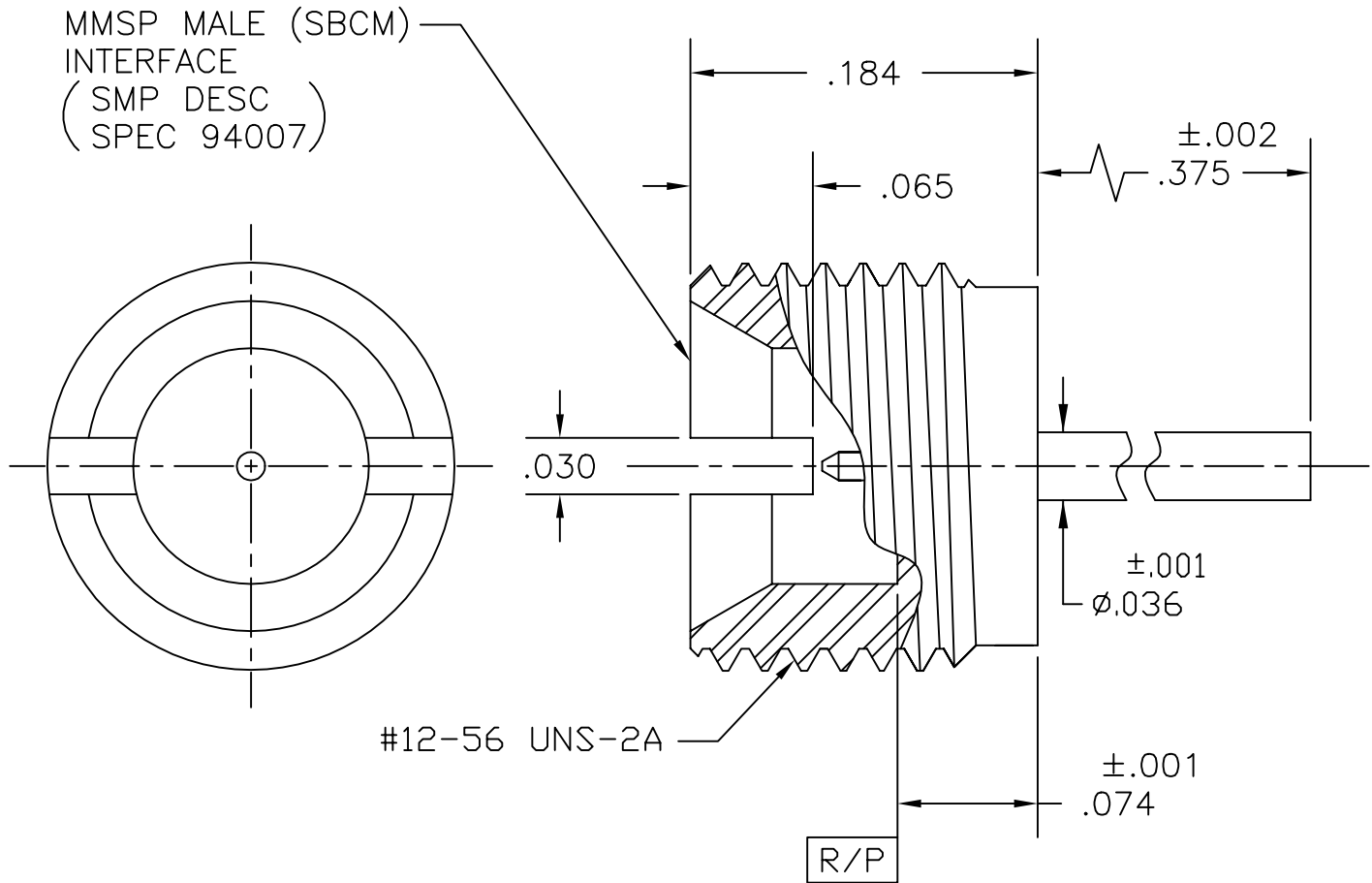


COMPONENT	MATERIAL AND FINISH	
BODY, PIN	KOVAR, MIL-I-23011 ASTM F15	GOLD PLATE, MIL-G-45204, TYPE 1, GRADE C, CLASS 1
GLASS	CORNING #7070 OR EQUIVALENT	

PART NO. MMSP-3714

OUTLINE DRAWING



MICRO-MODE PRODUCTS, INC.  
*The Reliable Connection to the Future*

El Cajon, CA 92020 Peoria, AZ 85345  
(619) 449-3844 (623) 334-8944

CAGE CODE  
15907

ASSY PROCEDURES: TBD

INSERTION/EXTRACTION TOOL: MMTL-2685

MMSP, MALE, SB CATCHERS MITT,  
THREAD-IN TERMINAL

PART NO.

MMSP-3714

REVISION

—

SHEET 1 OF 1 OL3714 09-27-00 RF JC