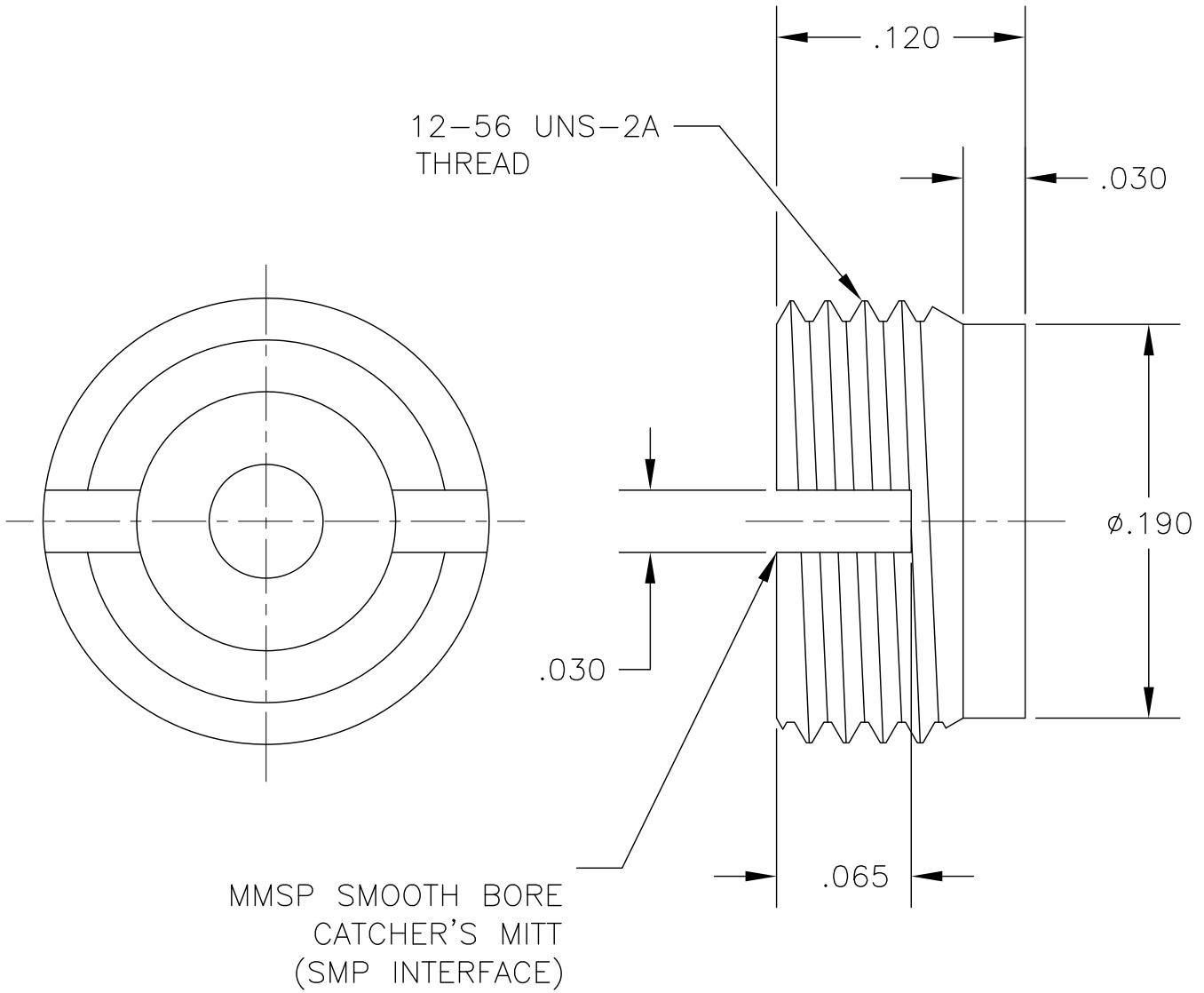


COMPONENT	MATERIAL AND FINISH	
SHROUD	303 CRES, ASTM A582	PASSIVATE, AMS-QQ-P-35

PART NO. MMSP-3632

OUTLINE DRAWING



MICRO-MODE PRODUCTS, INC.
The Reliable Connection to the Future

El Cajon, CA 92020
ph 619.449.3844
www.micromode.com

CAGE CODE
15907

ASSY PROCEDURES:

INSERTION/EXTRACTION TOOL: N/A

MMSP, SMOOTH BORE CATCHER'S
MITT, THREAD-IN SHROUD

PART NO.

REVISION

SHEET 1 OF 1 OL3632 3-13-12 MD .

MMSP-3632

A