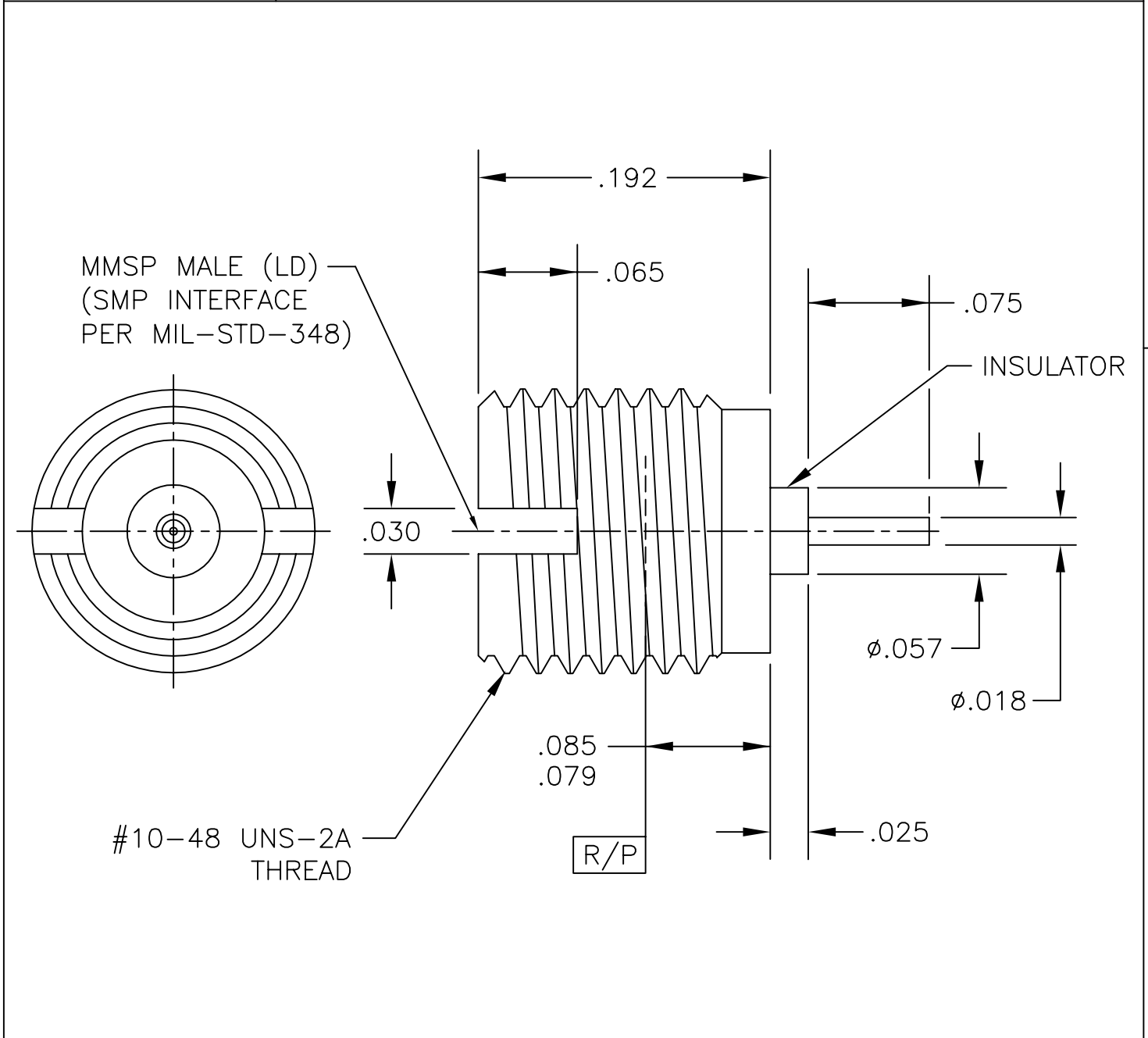



COMPONENT	MATERIAL AND FINISH	
CONTACT	BeCu, ASTM B196, UNS C17300	GOLD PLATE, MIL-G-45204, TYPE 1, GRADE C, CLASS 1
INSULATOR	PTFE, ASTM D1710, TYPE I, GRADE 1, CLASS A	
SHROUD, BUSHING	303 CRES, ASTM A582	PASSIVATE, AMS-QQ-P-35

PART NO. MMSP-3106

OUTLINE DRAWING



 MICRO-MODE PRODUCTS, INC. <i>The Reliable Connection to the Future</i>	El Cajon, CA 92020 ph 619.449.3844 www.micromode.com	CAGE CODE 15907
	ASSY PROCEDURES: MMAP-2694 INSERTION/EXTRACTION TOOL: MMTL-2684	
MMSP, MALE, LIMITED DETENT, THREAD-IN, STRAIGHT TERMINAL		PART NO.
SHEET 1 OF 1 OL3106 8-20-98 MM PC		REVISION D
MMSP-3106		