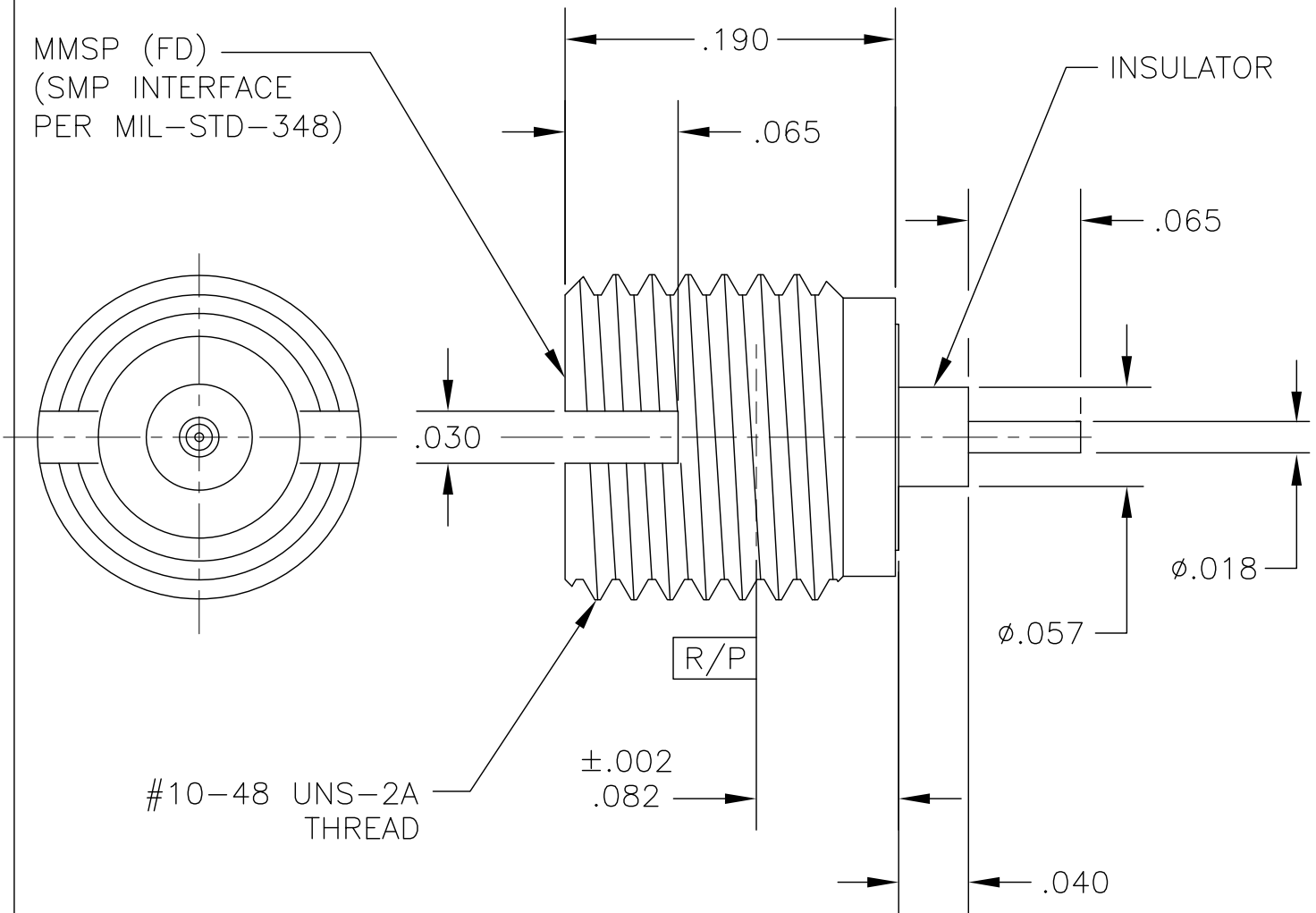


COMPONENT	MATERIAL AND FINISH	
CONTACT	BeCu, ASTM B196, UNS C17300	GOLD PLATE, MIL-G-45204, TYPE 1, GRADE C, CLASS 1
INSULATOR	PTFE, ASTM D1710, TYPE I, GRADE 1, CLASS A	
SHROUD	303 CRES, ASTM A582	PASSIVATE, AMS-QQ-P-35

PART NO. MMSP-2593



OUTLINE DRAWING



MICRO-MODE PRODUCTS, INC.
The Reliable Connection to the Future

El Cajon, CA 92020
ph 619.449.3844
www.micromode.com

CAGE CODE
15907

ASSY PROCEDURES: MMAP-2694

INSERTION/EXTRACTION TOOL: MMTL-2683

MMSP, MALE, FULL DETENT,
THREAD-IN, STRAIGHT TERMINAL

PART NO.

REVISION

SHEET 1 OF 1 | OL2593 7-14-98 MM PC

MMSP-2593

C