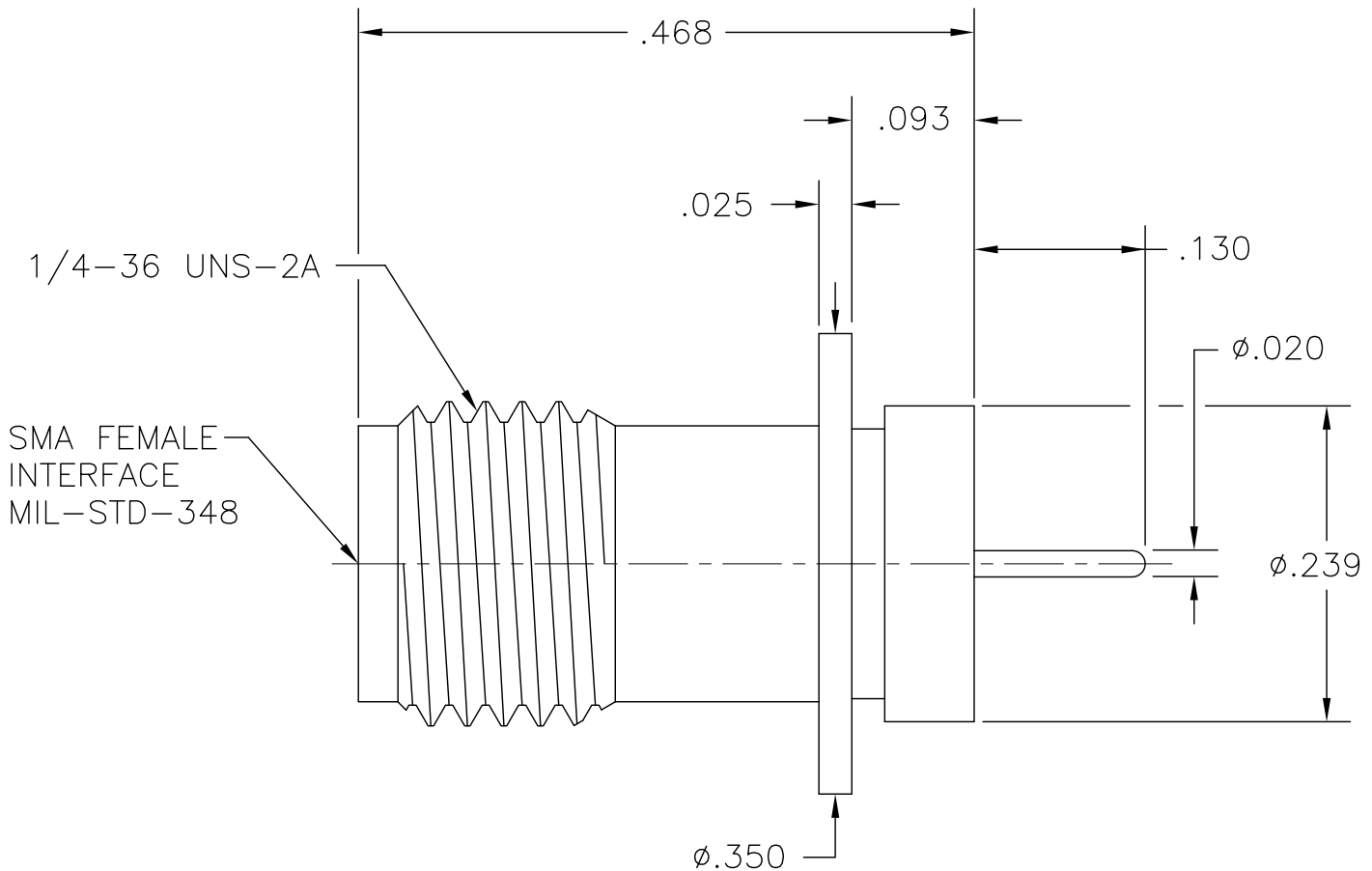


COMPONENT	MATERIAL AND FINISH	
BODY	303 CRES, ASTM A582	GOLD PLATE, MIL-G-45204, TYPE 1, GRADE C, CLASS 1
PREFORM	GLASS, SCHOTT S8061	
PIN	52 ALLOY MIL-I-23011, CLASS 2	GOLD PLATE, MIL-G-45204, TYPE 1, GRADE C, CLASS 1
INSULATOR	PTFE, ASTM D1710, TYPE I, GRADE 1, CLASS A	
CONTACT	BeCu, ASTM B196, UNS C17300	GOLD PLATE, MIL-G-45204, TYPE 1, GRADE C, CLASS 1

PART NO. 1902-4-0085-000 HG I

OUTLINE DRAWING



MICRO-MODE PRODUCTS, INC.
The Reliable Connection to the Future

El Cajon, CA 92020
ph 619.449.3844
www.micromode.com

CAGE CODE
15907

ASSY PROCEDURES: N/A

INSERTION/EXTRACTION TOOL: N/A

SMA FEMALE, HERMETIC

SHEET 1 OF 1 | OL1902.... 9-28-01 RF EB

PART NO.
1902-4-0085-000 HG

REVISION
G