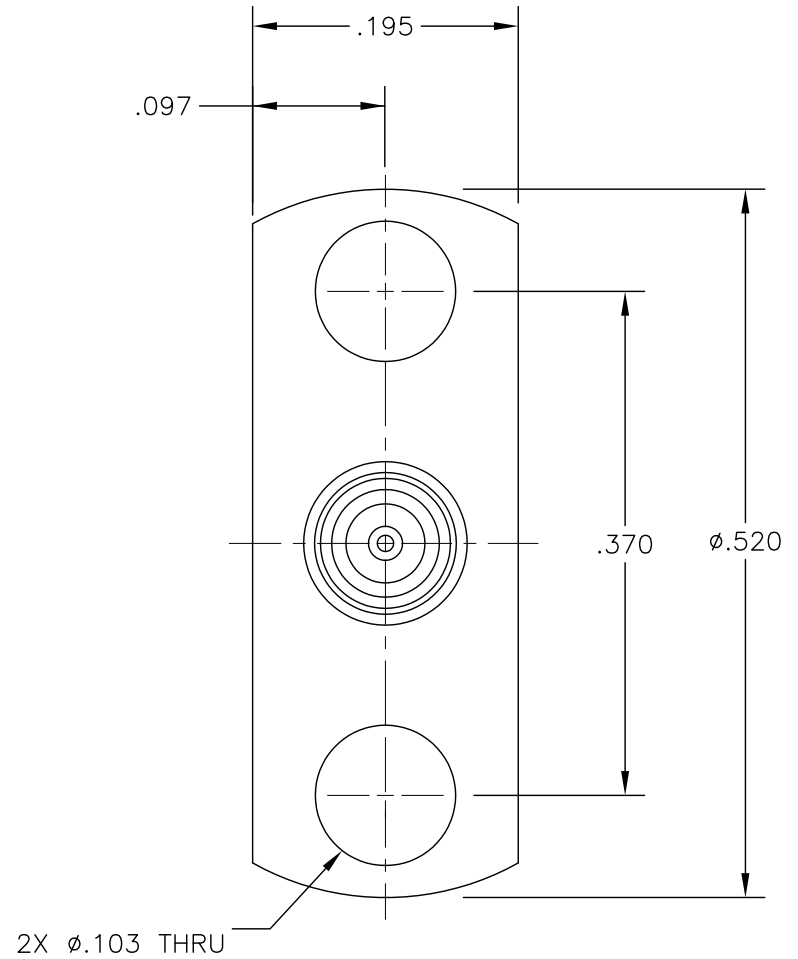
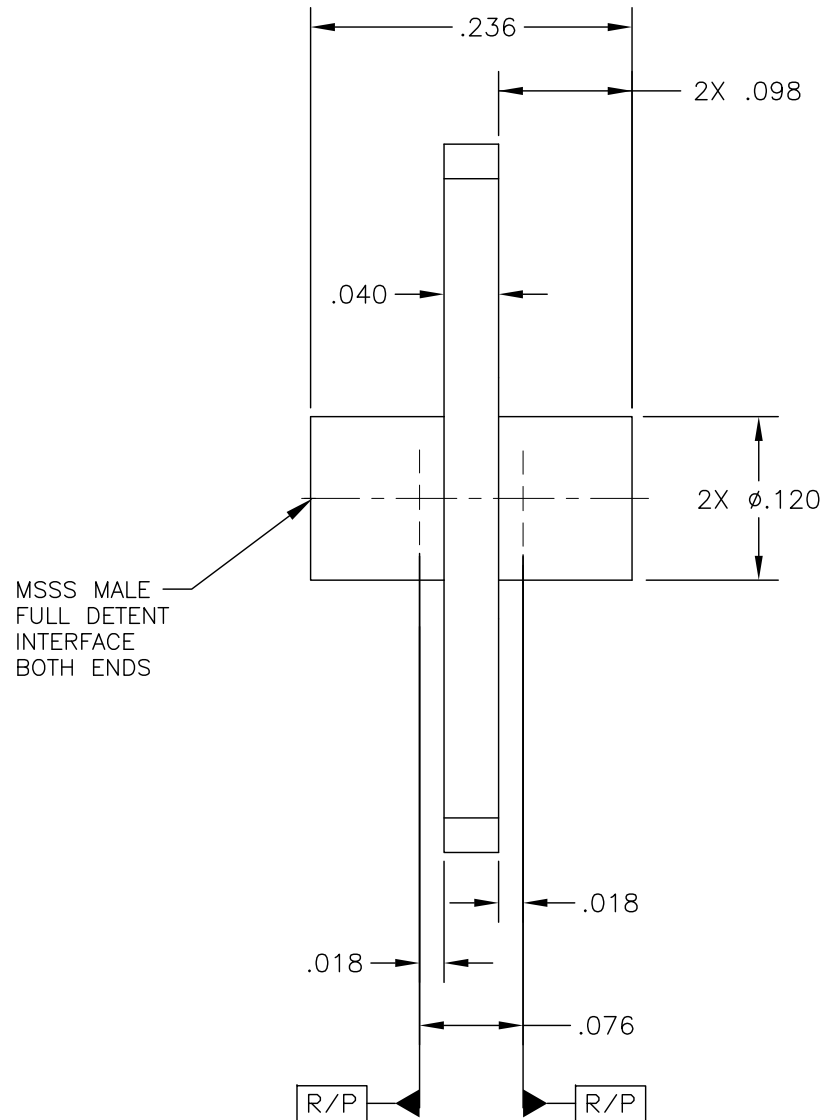


OUTLINE DRAWING

This drawing and any data contained therein is the property of Micro-Mode Products, Inc. and constitutes and contains proprietary and confidential information. Neither receipt nor possession of this drawing confers or transfers any right to duplicate, use, or disclose any information contained herein except as expressly authorized by Micro-Mode Products Inc.



MICRO-MODE PRODUCTS, INC. <i>The Reliable Connection to the Future</i>		El Cajon, CA 92020 ph 619.449.3844 www.micromode.com	CAGE CODE 15907
COMPONENT	MATERIAL & FINISH		
CONTACT	BeCu, ASTM B196, UNS C17300	GOLD PLATE, MIL-G-45204, TYPE 1, GRADE C, CLASS 1	
INSULATOR	PTFE, ASTM D1710, TYPE I, GRADE 1, CLASS A		
BODY, BUSHING	303 CRES, ASTM A582	PASSIVATE, AMS-QQ-P-35	
ASSY PROCEDURES: N/A		MSSS ADAPTER, FULL DETENT TO FULL DETENT	
INSERTION/EXTRACTION TOOL: N/A			
SHEET 1 OF 1		PART NO. MSSS-13374	REVISION -
OL13374 6-5-14 MP			

OUTLINE DRAWING