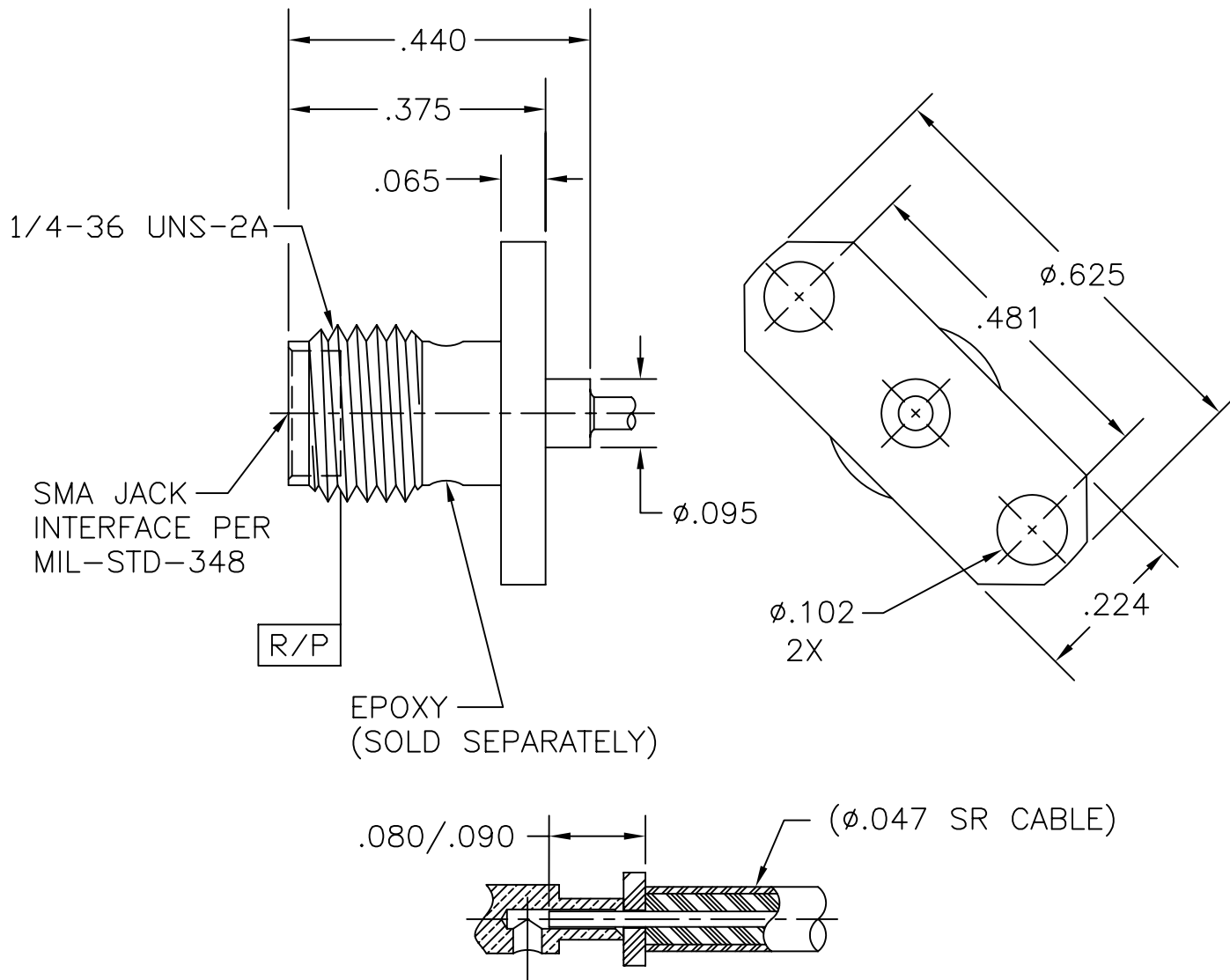


PART NO. 1302-2-0425-002 XG | OUTLINE DRAWING

| COMPONENT | MATERIAL AND FINISH | |
|-----------------|--|---|
| BODY | 303 CRES, ASTM A582 | GOLD PLATE, MIL-G-45204, TYPE 1, GRADE C, CLASS 1 |
| INSULATOR | PTFE, ASTM D1710, TYPE I, GRADE 1, CLASS A | |
| CONTACT | BeCu, ASTM B196, UNS C17300 | GOLD PLATE, MIL-G-45204, TYPE 1, GRADE C, CLASS 1 |
| DIELECTRIC BEAD | TORLON 4203 MIL-P-46179, TYPE I | |



CONTACT ASSEMBLY & CABLE TRIM DETAIL
SCALE 2:1



MICRO-MODE PRODUCTS, INC.
The Reliable Connection to the Future

El Cajon, CA 92020
ph 619.449.3844
www.micromode.com

CAGE CODE
15907

| | | | |
|--------------------------------|--|--------------------------------|---------------|
| ASSY PROCEDURES: N/A | SMA (J) 2 HOLE FLANGE MOUNT, EPOXY CAPTIVED, φ.047 SR CABLE | PART NO. 1302-2-0425-002 XG | REVISION B |
| INSERTION/EXTRACTION TOOL: N/A | | | |
| SHEET 1 OF 1 | OL1302-2-.... | 12-12-02 | RF DR |