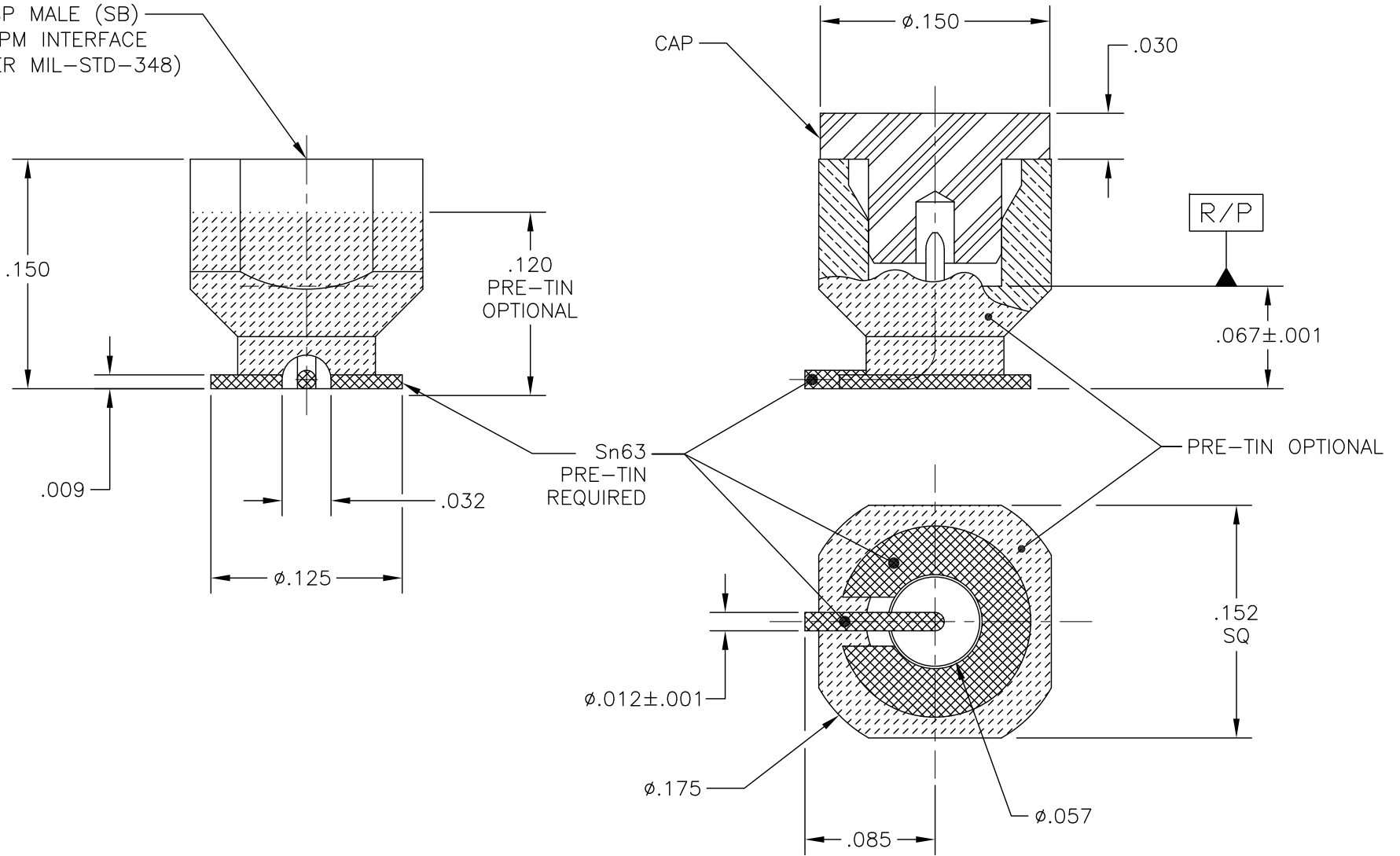


# OUTLINE DRAWING

PART NO. MSSP-10832

MSSP MALE (SB)  
(SMPM INTERFACE  
PER MIL-STD-348)



COMPONENT	MATERIAL & FINISH	
BODY	BRASS, ASTM B16 UNS #C36000	GOLD PLATE, MIL-G-45204, TYPE 1, GRADE C, CLASS 1
CONTACT	BeCu, ASTM B196, UNS C17300	GOLD PLATE, MIL-G-45204, TYPE 1, GRADE C, CLASS 1
INSULATOR	TORLON (POLYAMIDE-IMIDE) ASTM MIL-P-46179	
CAP	PTFE, ASTM D1710, TYPE I, GRADE 1, CLASS A	
SOLDER	Sn63 (TIN-LEAD)	



MICRO-MODE PRODUCTS, INC.  
*The Reliable Connection to the Future*

El Cajon, CA 92020  
ph 619.449.3844  
www.micromode.com

CAGE CODE  
15907

ASSY PROCEDURES: N/A

INSERTION/EXTRACTION TOOL: N/A

MSSP, SMOOTH BORE,  
SURFACE MOUNT, RIGHT ANGLE LAUNCH

PART NO.

MSSP-10832

REVISION

—

SHEET 1 OF 1

OL10832 1-5-11

EB DR

PART NO. MSSP-10832 | OUTLINE DRAWING