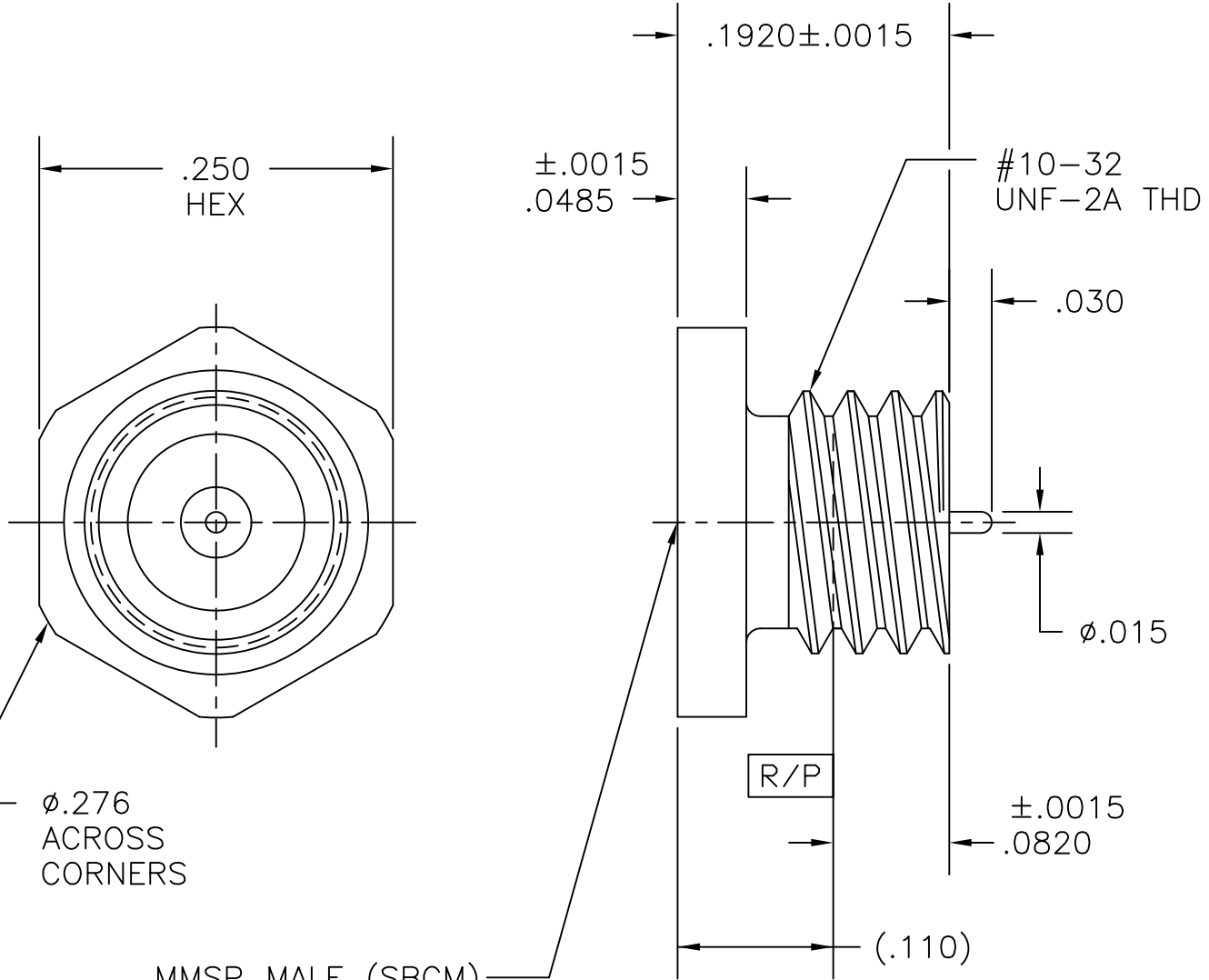


COMPONENT	MATERIAL AND FINISH	
BODY	303 CRES, ASTM A582	PASSIVATE, AMS-QQ-P-35
INSULATOR	PTFE, ASTM D1710, TYPE I, GRADE 1, CLASS A	
CONTACT	BeCu, ASTM B196, UNS C17300	GOLD PLATE, MIL-G-45204, TYPE 1, GRADE C, CLASS 1

PART NO. MMSP-10017

OUTLINE DRAWING



MMSM MALE (SBCM)  
(SMP INTERFACE  
PER MIL-STD-348)



MICRO-MODE PRODUCTS, INC.  
*The Reliable Connection to the Future*

El Cajon, CA 92020  
ph 619.449.3844  
www.micromode.com

CAGE CODE  
15907

ASSY PROCEDURES: N/A
INSERTION/EXTRACTION TOOL: N/A
SHEET 1 OF 1   OL10017 4-2-09 DR .

MMSM, SMOOTH BORE CATCHER'S MITT, THREAD-IN, STRAIGHT TERMINAL	
PART NO.	REVISION
MMSP-10017	03