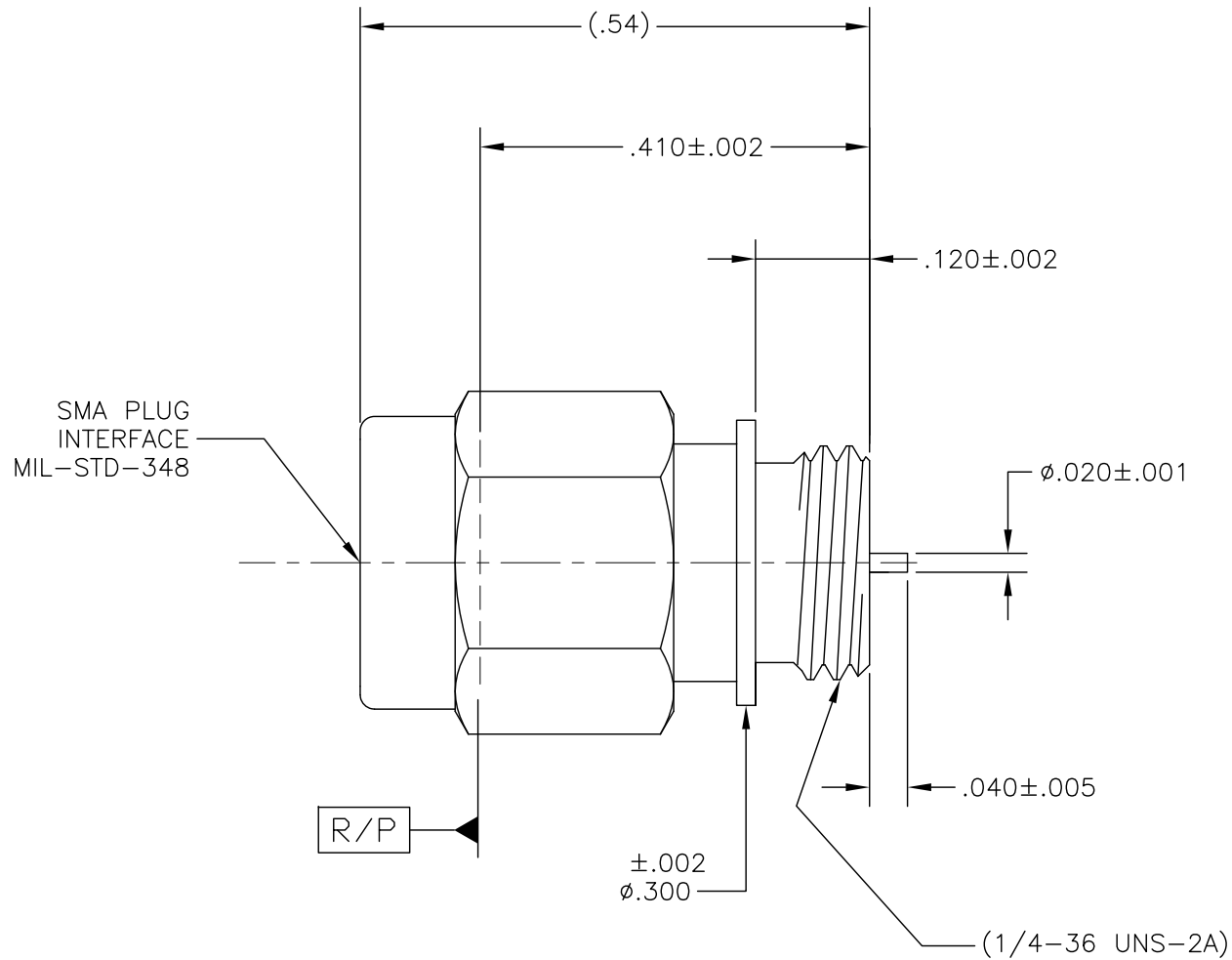


# OUTLINE DRAWING

PART NO. 1921-4-0080-001 HG



COMPONENT	MATERIAL & FINISH
BODY & CONTACT	BeCu, ASTM B196, UNS C17300 GOLD PLATE, MIL-G-45204, TYPE 1, GRADE C, CLASS 1
INSULATOR	PTFE, ASTM D1710, TYPE I, GRADE 1, CLASS A
FERRULE & PIN	KOVAR, ASTM F15, MIL-I-23011, CLASS 1 GOLD PLATE, MIL-G-45204, TYPE 3, GRADE A, CLASS 1
GLASS	CORNING #7070 OR EQUIVALENT
COUPLING NUT	303 CRES, ASTM A582 PASSIVATE, AMS-QQ-P-35
DIELECTRIC BEAD	ULTEM 1000, ASTM D5205
GASKET	SILICONE RUBBER
SOLDER	Sn96

\*\* MECHANICALLY CAPTIVE INSULATOR & CONTACT



MICRO-MODE PRODUCTS, INC.  
*The Reliable Connection to the Future*

El Cajon, CA 92020  
ph 619.449.3844  
www.micromode.com

CAGE CODE  
15907

ASSY PROCEDURES: N/A

INSERTION/EXTRACTION TOOL: N/A

SMA PLUG, THREAD-IN,  
HERMETIC

PART NO.

1921-4-0080-001 HG

REVISION

H

SHEET 1 OF 1

OL1921-4-... 9-28-11 EB .

PART NO. 1921-4-0080-001 HG | OUTLINE DRAWING