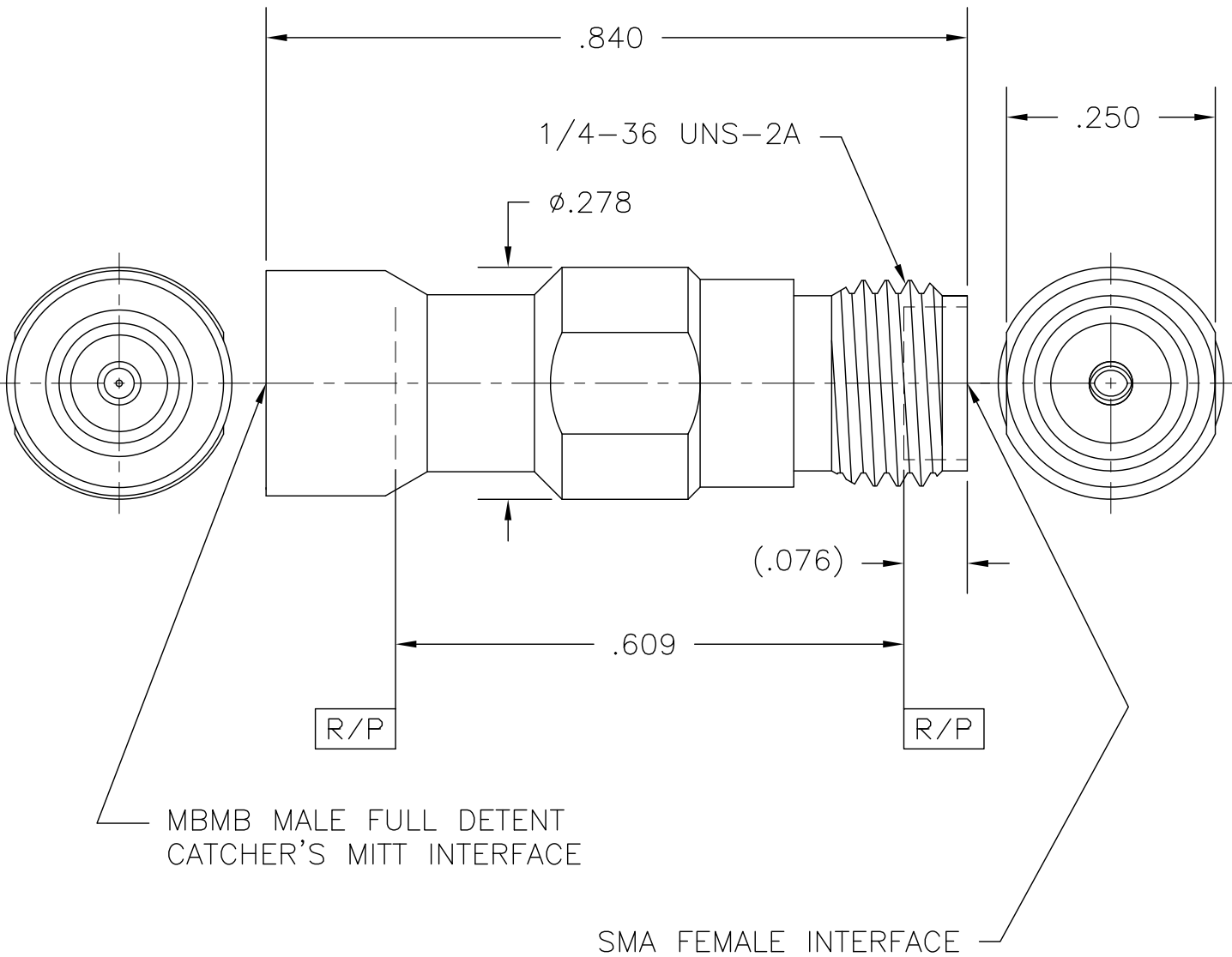


| COMPONENT | MATERIAL AND FINISH | |
|-----------|--|---|
| BODY | 303 CRES, ASTM A582 | PASSIVATE, AMS-QQ-P-35 |
| INSULATOR | PTFE, ASTM D1710, TYPE I, GRADE 1, CLASS A | |
| CONTACT | BeCu, ASTM B196, UNS C17300 | GOLD PLATE, MIL-G-45204, TYPE I, GRADE C, CLASS 1 |

PART NO. MADP-6636

OUTLINE DRAWING



MICRO-MODE PRODUCTS, INC.
The Reliable Connection to the Future

El Cajon, CA 92020
 ph 619.449.3844
 www.micromode.com

CAGE CODE
 15907

ASSY PROCEDURES: N/A

INSERTION/EXTRACTION TOOL: N/A

MBMB(M) FDCM TO SMA(F)
 ADAPTER

PART NO.

MADP-6636

REVISION

B

SHEET 1 OF 1 | OL6636 11-22-99 | JC DR