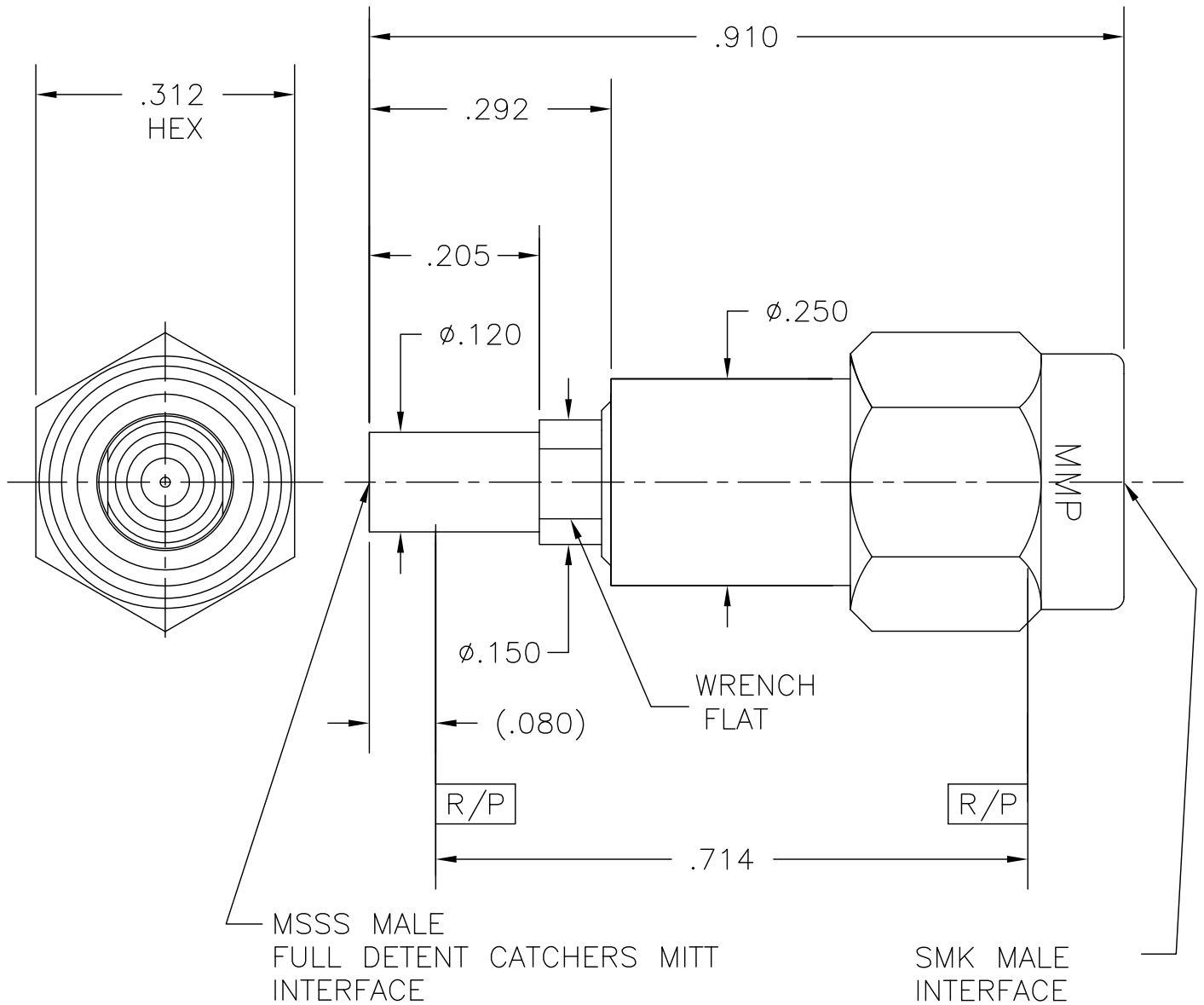



COMPONENT	MATERIAL AND FINISH	
2.92mm BODY, CONTACT INSERT, RETAINING RING	BeCu, ASTM B196, UNS C17300	GOLD PLATE, MIL-G-45204, TYPE 1, GRADE C, CLASS 1
INSULATOR	PTFE, ASTM D1710, TYPE I, GRADE 1, CLASS A	
NUT & MSSS FDCM BODY	303 CRES, ASTM A582	PASSIVATE, AMS-QQ-P-35

PART NO. MADP-6543

OUTLINE DRAWING



 MICRO-MODE PRODUCTS, INC. <i>The Reliable Connection to the Future</i>	El Cajon, CA 92020 ph 619.449.3844 www.micromode.com	CAGE CODE 15907
INSERTION/EXTRACTION TOOL: N/A	MSSS FDCM MALE TO SMK MALE ADAPTER	
SHEET 1 OF 1 OL6543 7-1-99 PC	PART NO. MADP-6543	REVISION E