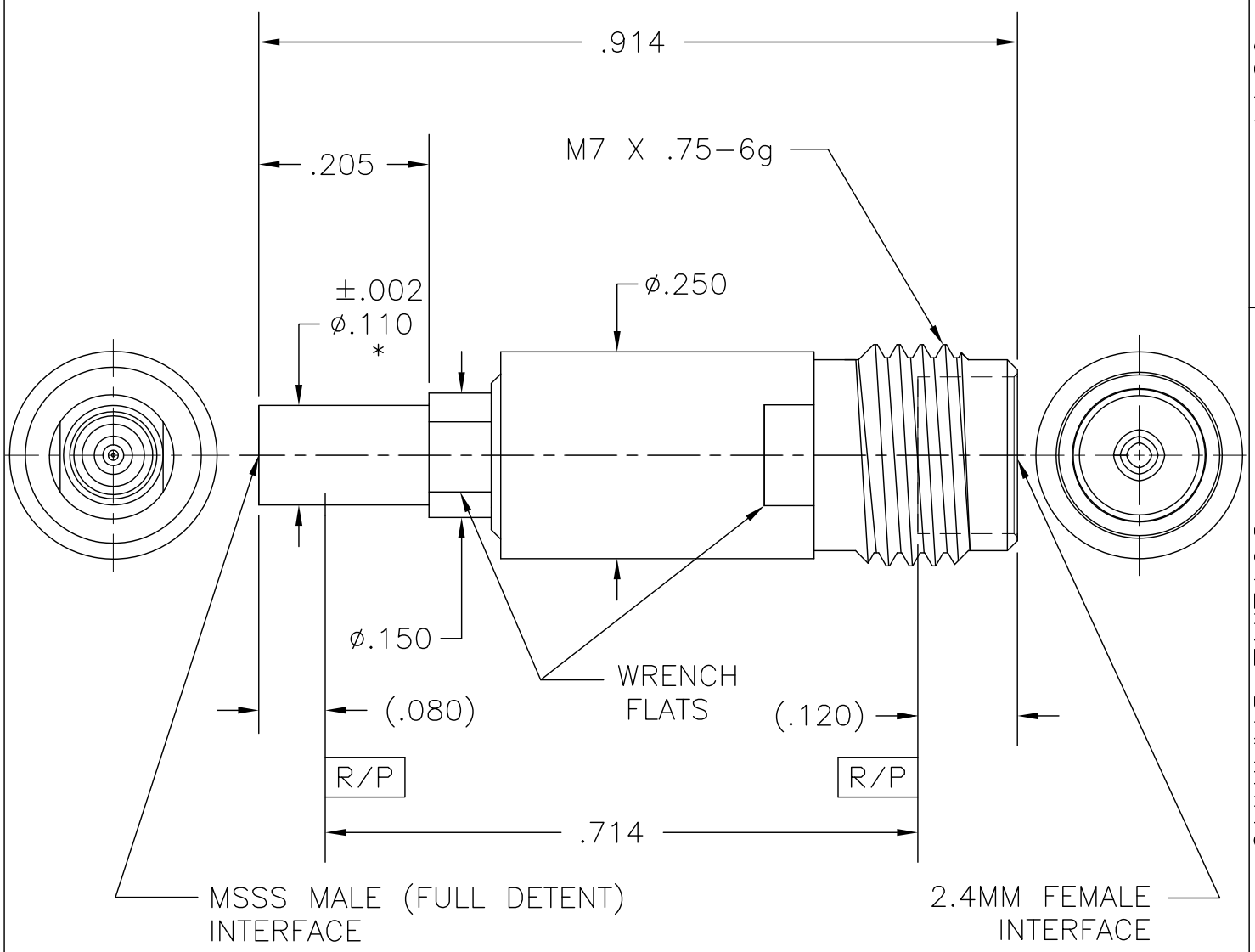



COMPONENT	MATERIAL AND FINISH	
2.4MM BODY, CONTACT & INSERT	BeCu, ASTM B196, UNS C17300	GOLD PLATE, MIL-G-45204, TYPE 1, GRADE C, CLASS 1
INSULATORS	PTFE, ASTM D1710, TYPE I, GRADE 1, CLASS A	
MSSS BODY	303 CRES, ASTM A582	PASSIVATE, AMS-QQ-P-35

PART NO. MADP-6344

OUTLINE DRAWING



\*SIMILAR TO MADP-6321\*\*

 <b>MICRO-MODE PRODUCTS, INC.</b> <i>The Reliable Connection to the Future</i>	El Cajon, CA 92020 ph 619.449.3844 www.micromode.com	CAGE CODE 15907
	ASSY PROCEDURES: N/A INSERTION/EXTRACTION TOOL: N/A	
MSSS (FD) TO 2.4MM FEMALE ADAPTER		PART NO. MADP-6344 REVISION C
SHEET 1 OF 1	OL6344 2-29-00	PC