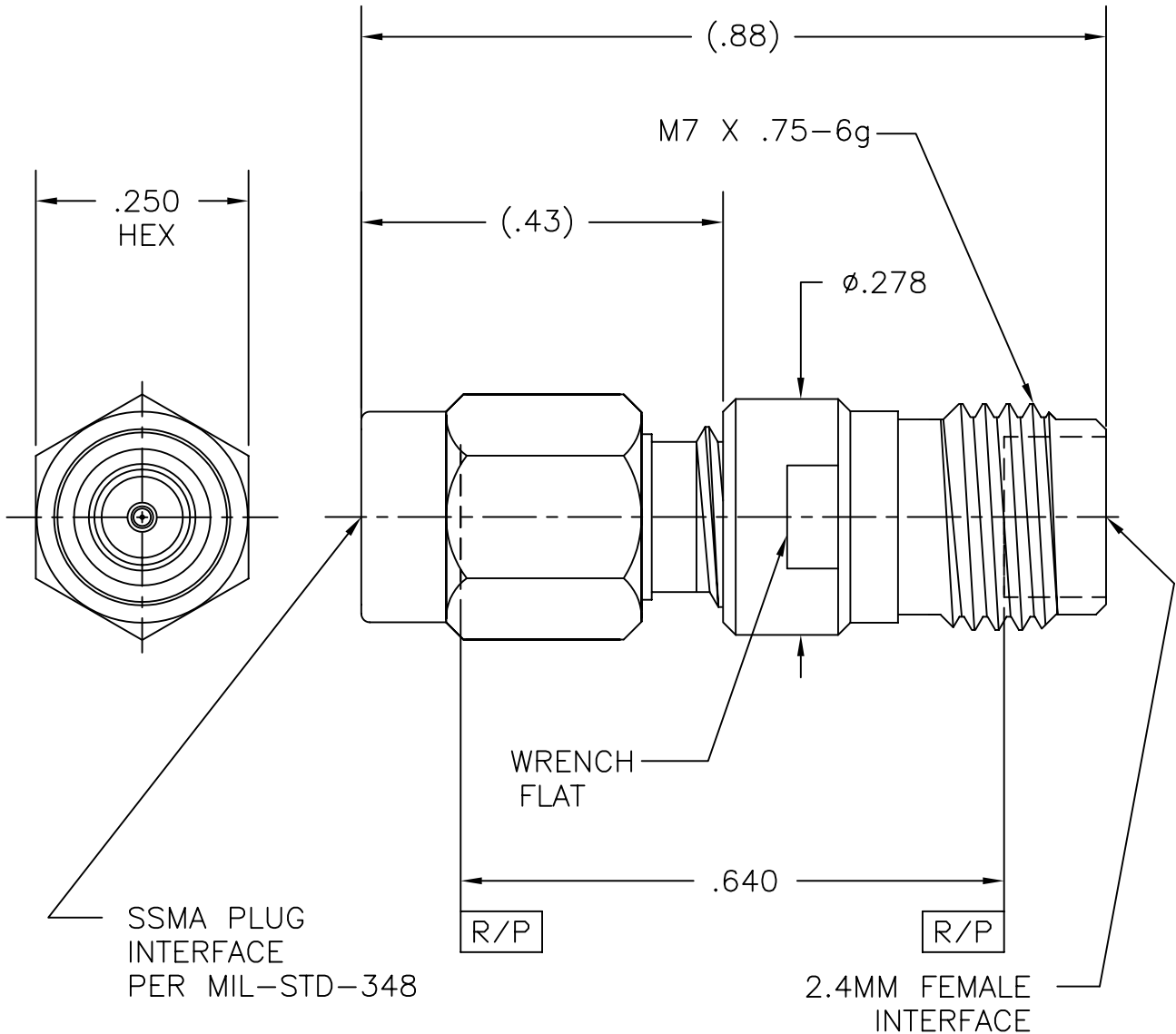


COMPONENT	MATERIAL AND FINISH	
CONTACT	BeCu, ASTM B196, UNS C17300	GOLD PLATE, MIL-G-45204, TYPE 1, GRADE C, CLASS 1
LOCK RING	BeCu, ASTM B196, UNS C17300	
INSULATORS	PTFE, ASTM D1710, TYPE I, GRADE 1, CLASS A	
BODIES, COUPLING NUT	303 CRES, ASTM A582	PASSIVATE, AMS-QQ-P-35

PART NO. MADP-5380

OUTLINE DRAWING



MICRO-MODE PRODUCTS, INC.
The Reliable Connection to the Future

El Cajon, CA 92020
ph 619.449.3844
www.micromode.com

CAGE CODE
15907

ASSY PROCEDURES: N/A

INSERTION/EXTRACTION TOOL: N/A

SSMA PLUG TO
2.4MM FEMALE ADAPTER

PART NO.

MADP-5380

REVISION

—

SHEET 1 OF 1 | OL5380 12-11-07 | EB MD