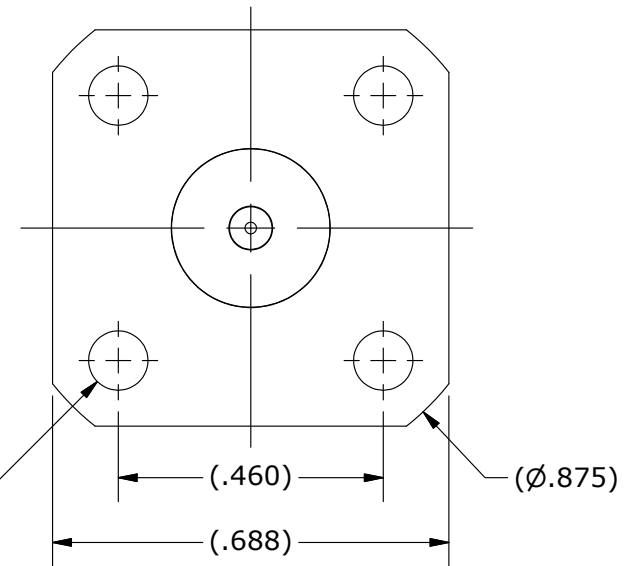


( $\phi$ .275)  
INSULATOR

( $\phi$ .020)

( $\phi$ .103 THRU)  
4X



COMPONENT	MATERIAL	FINISH	MICRO-MODE PRODUCTS, INC. <i>The Reliable Connection to the Future</i>		El Cajon, CA 92020 ph 619.449.3844 www.micromode.com	CAGE CODE 15907
BODY & CONTACT	BeCu, ASTM B196, UNS C17300	GOLD PLATE, MIL-DTL-45204, TYPE 1, GRADE C, CLASS 1	ASSEMBLY PROCEDURES: N/A TOOL: N/A		<b>MMBT, LD BLIND MATE, FLANGE MOUNT</b>	
INSULATOR	FLUOROLOY H					
			SHEET 1 OF 1	12/15/2014 AC	PART NO. <b>MMBT-13823</b>	REVISION <b>01</b>