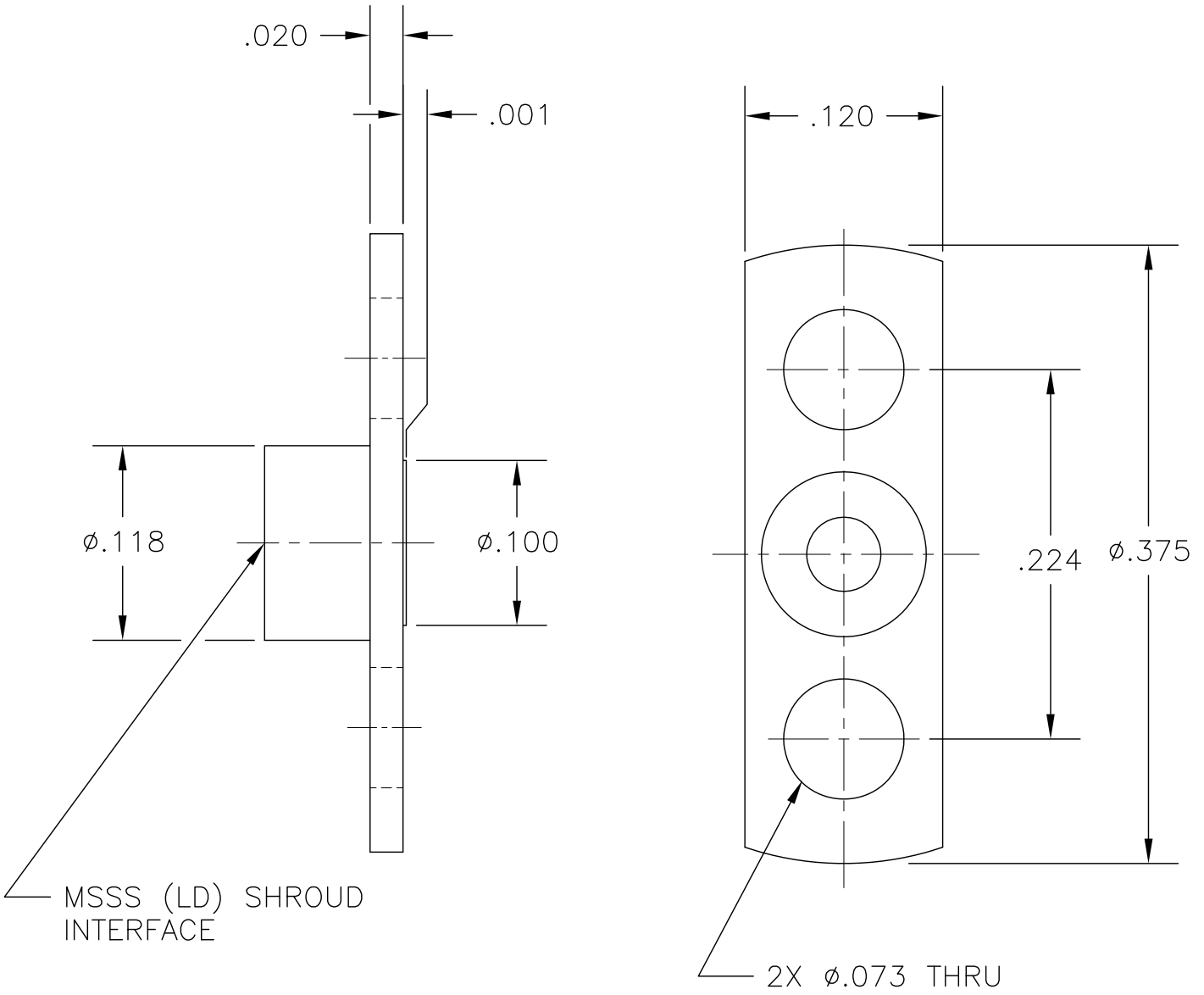


COMPONENT	MATERIAL AND FINISH	
SHROUD	303 CRES, ASTM A582	PASSIVATE, AMS-QQ-P-35

PART NO. MSSS-7390

OUTLINE DRAWING



MICRO-MODE PRODUCTS, INC.  
*The Reliable Connection to the Future*

El Cajon, CA 92020  
 ph 619.449.3844  
 www.micromode.com

CAGE CODE  
 15907

ASSY PROCEDURES: N/A

INSERTION/EXTRACTION TOOL: N/A

MSSS, LIMITED DETENT  
 2 HOLE FLANGE MOUNT

PART NO.

REVISION

SHEET 1 OF 1 | OL7390 5-14-04 MP .

MSSS-7390

—