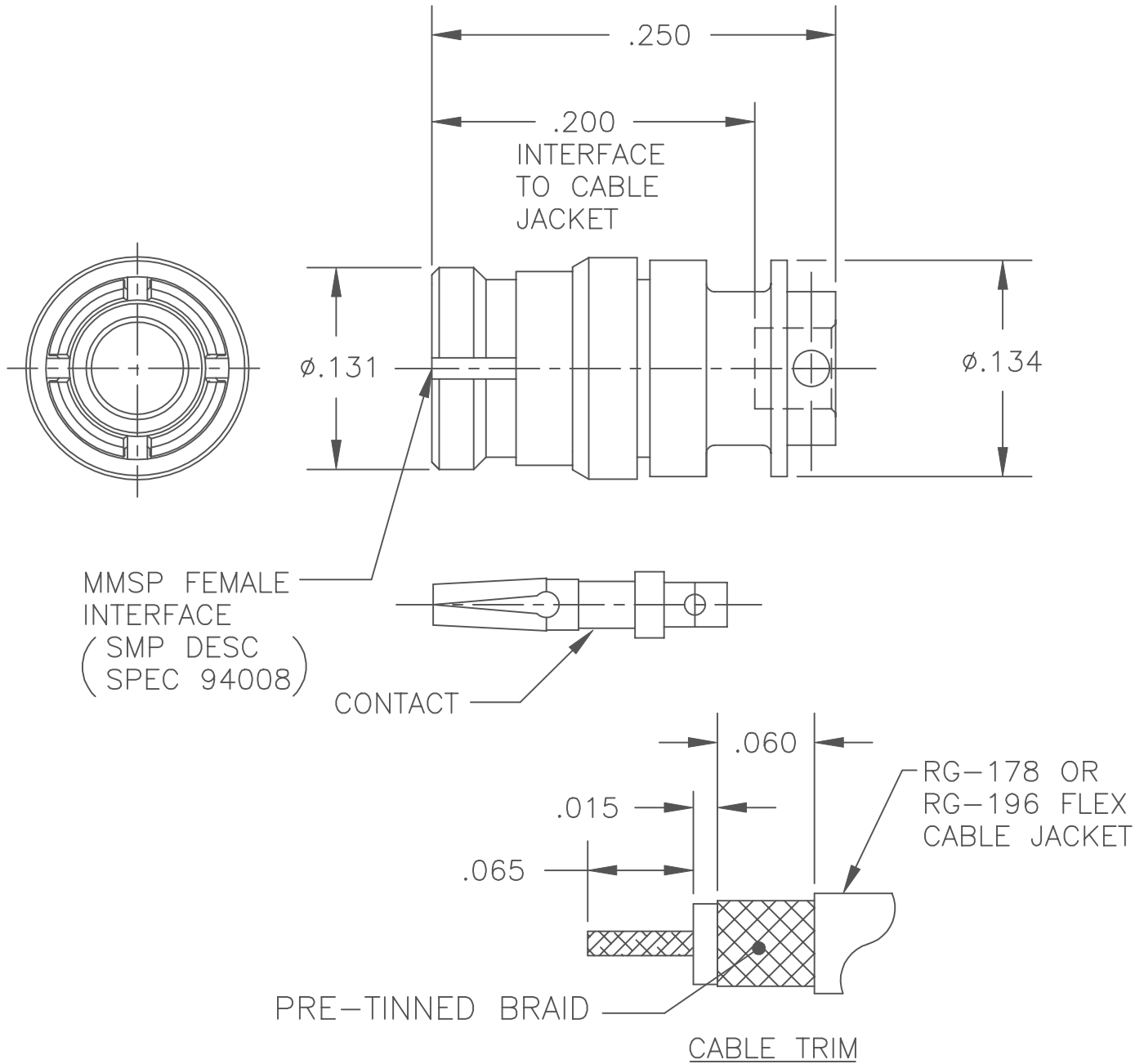


COMPONENT	MATERIAL AND FINISH	
BODY, CONTACT, ANTI-ROCK RING, EMI RING	BeCu, ASTM B196, UNS C17300	GOLD PLATE, MIL-G-45204, TYPE 1, GRADE C, CLASS 1
INSULATOR	PTFE, ASTM D1710, TYPE I, GRADE 1, CLASS A	

PART NO. MMSP-6659

OUTLINE DRAWING



MICRO-MODE PRODUCTS, INC.  
*The Reliable Connection to the Future*

El Cajon, CA 92020 Peoria, AZ 85345  
(619) 449-3844 (602) 334-8944

CAGE CODE  
15907

ASSY PROCEDURES: MMAP-6071

INSERTION/EXTRACTION TOOL: MMTL-2681

MMSP FEMALE STRAIGHT TO  
RG-178 & RG-196 FLEX CABLE

PART NO.

MMSP-6659

REVISION

—

SHEET 1 OF 1 OL6659 10-8-99 JC DR