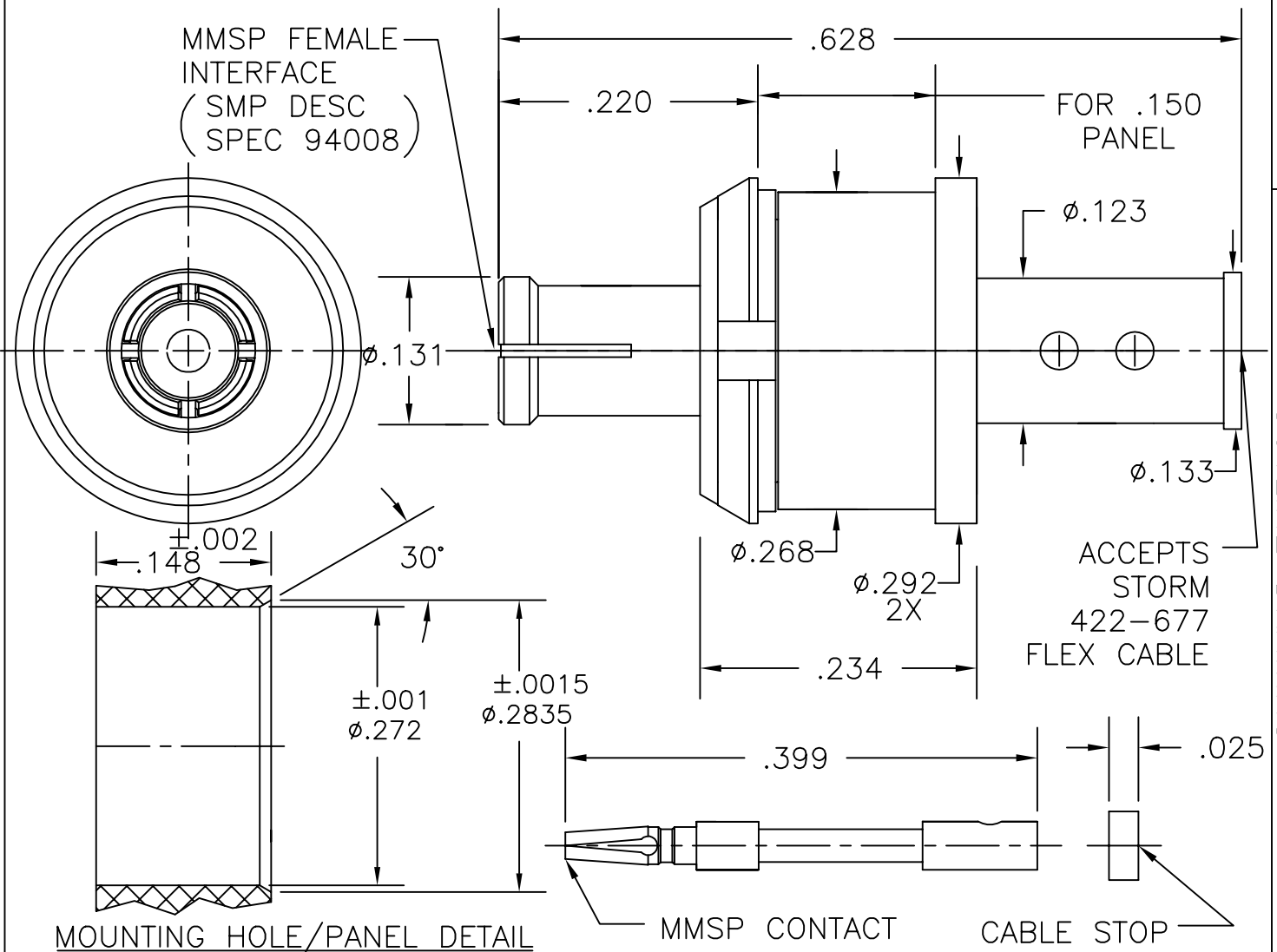


COMPONENT	MATERIAL AND FINISH	
BODY, CONTACT, CABLE ADAPTER	BeCu, ASTM B196, UNS C17300	GOLD PLATE, MIL-G-45204, TYPE 1, GRADE C, CLASS 1
INSULATOR CABLE STOP	PTFE, ASTM D1710, TYPE I, GRADE 1, CLASS A	
FLOAT MOUNT BODY, BUSHING	303 CRES, ASTM A582	PASSIVATE, AMS-QQ-P-35
SNAP RING	BeCu, ASTM B196, UNS C17300	NICKEL PLATE, MIL-C-26074 CLASS 1
WASHER	300 SERIES CRES	PASSIVATE, AMS-QQ-P-35
SPRING	MUSIC WIRE	NICKEL PLATE, QQ-N-290

PART NO. MMSP-6654



OUTLINE DRAWING



MICRO-MODE PRODUCTS, INC.  
The Reliable Connection to the Future

El Cajon, CA 92020 Peoria, AZ 85345  
(619) 449-3844 (623) 334-8944

CAGE CODE  
15907

ASSY PROCEDURES: N/A

INSERTION/EXTRACTION TOOL: MMTL-7530

MMSP, FEMALE, STRAIGHT, SNAP-IN FLOAT MOUNT TO STORM 422-677 FLEX CABLE

PART NO.

MMSP-6654

REVISION

B

SHEET 1 OF 1 OL6654 4-24-00 RF DR