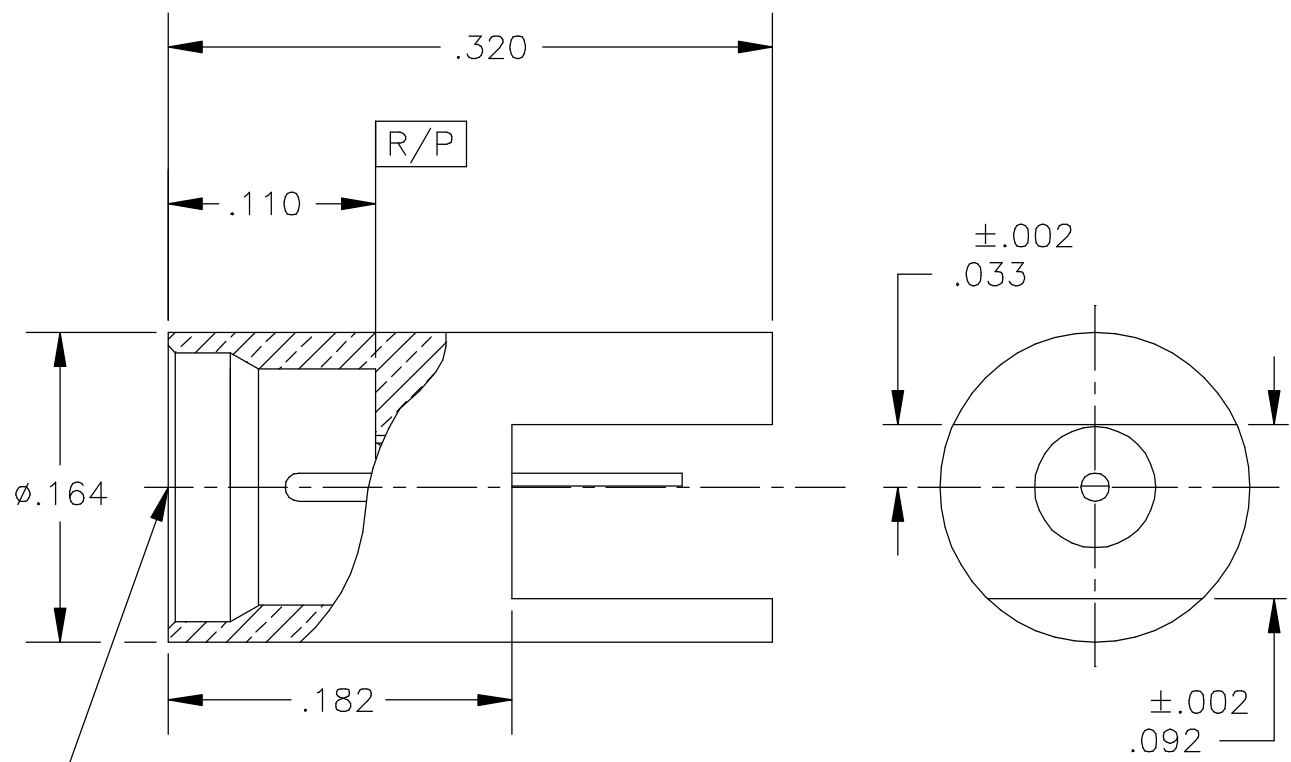


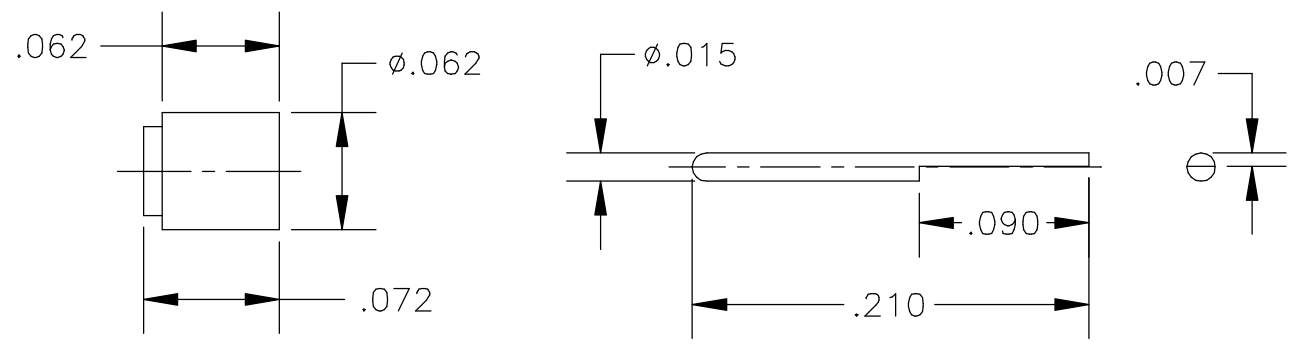
COMPONENT	MATERIAL AND FINISH	
BODY & CONTACT	BeCu, ASTM B196, UNS C17300 TDO4	GOLD PLATE, MIL-G-45204, TYPE 1, GRADE C, CLASS 1
INSULATOR	TORLON (POLYAMIDE-IMIDE) ASTM D5204	

PART NO. MMSP-6230

OUTLINE DRAWING



MMSP MALE (SB)
INTERFACE
(SMP DESC
SPEC 94007)



 MICRO-MODE PRODUCTS, INC. <i>The Reliable Connection to the Future</i>	El Cajon, CA 92020 Peoria, AZ 85345 (619) 449-3844 (602) 334-8944	CAGE CODE 15907

ASSY PROCEDURES: N/A	MMSP (SB) MALE EDGE MOUNT	PART NO. MMSP-6230	REVISION
INSERTION/EXTRACTION TOOL: N/A			—
SHEET 1 OF 1	OL6230 10-6-98 NK PC		