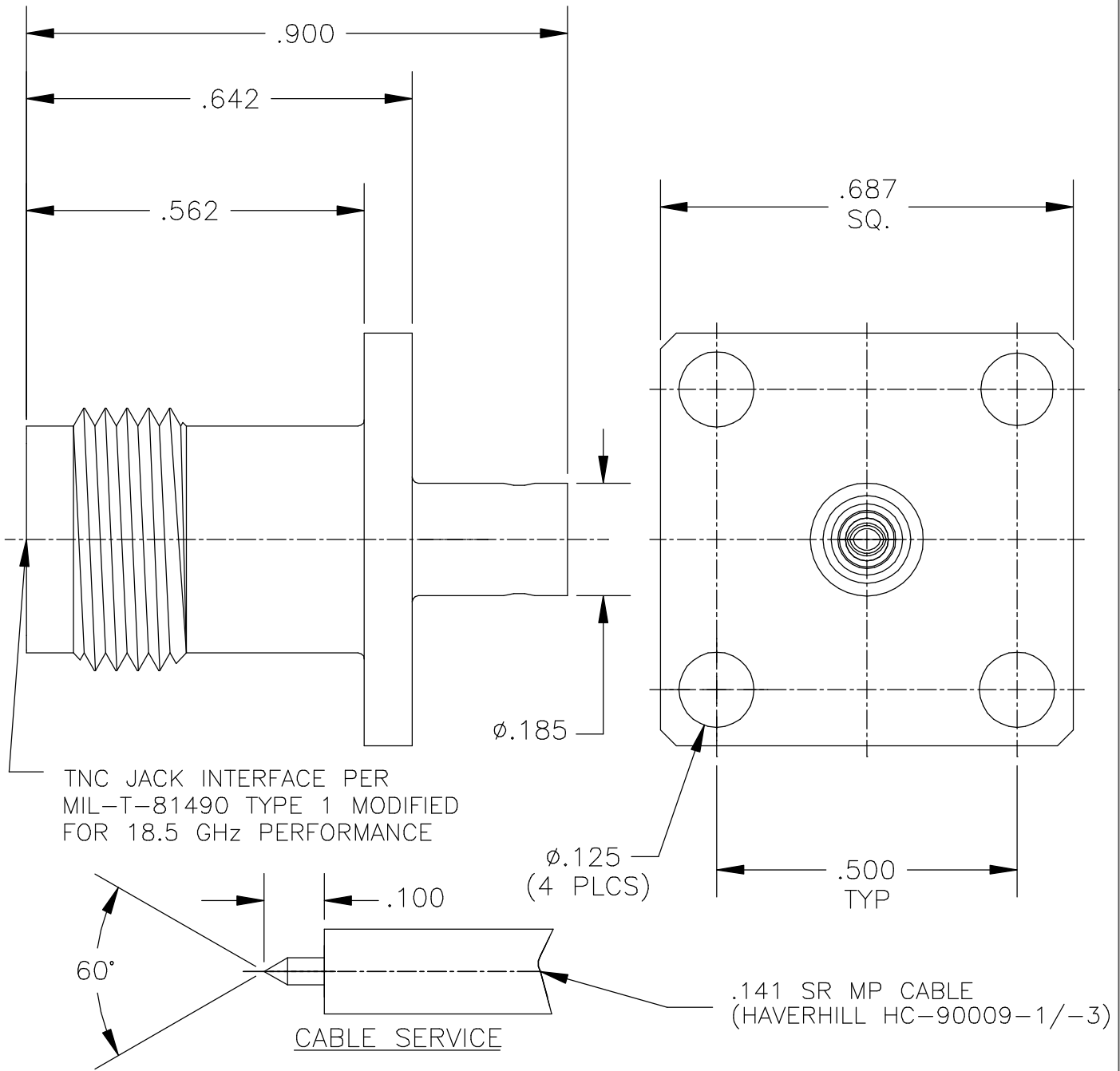


| COMPONENT | MATERIAL AND FINISH | |
|----------------|---|--|
| BODY & CONTACT | BeCu, ASTM B196, UNS C17300 | GOLD PLATE, MIL-G-45204, TYPE 1, GRADE C, CLASS 1 |
| INSULATOR | PTFE, ASTM D1710, TYPE I, GRADE 1, CLASS A | |

PART NO. MTNC-6210

OUTLINE DRAWING



MICRO-MODE PRODUCTS, INC.
The Reliable Connection to the Future

El Cajon, CA 92020 Peoria, AZ 85345
(619) 449-3844 (602) 334-8944

CAGE CODE
15907

ASSY PROCEDURES: MMAP-6249

INSERTION/EXTRACTION TOOL: N/A

TNC JACK TO .141 SR MP CABLE
(HAVERHILL HC-90009-1/-3)

PART NO. **MTNC-6210** REVISION **A**

SHEET 1 OF 1 | OL6210 2-5-99 | PC