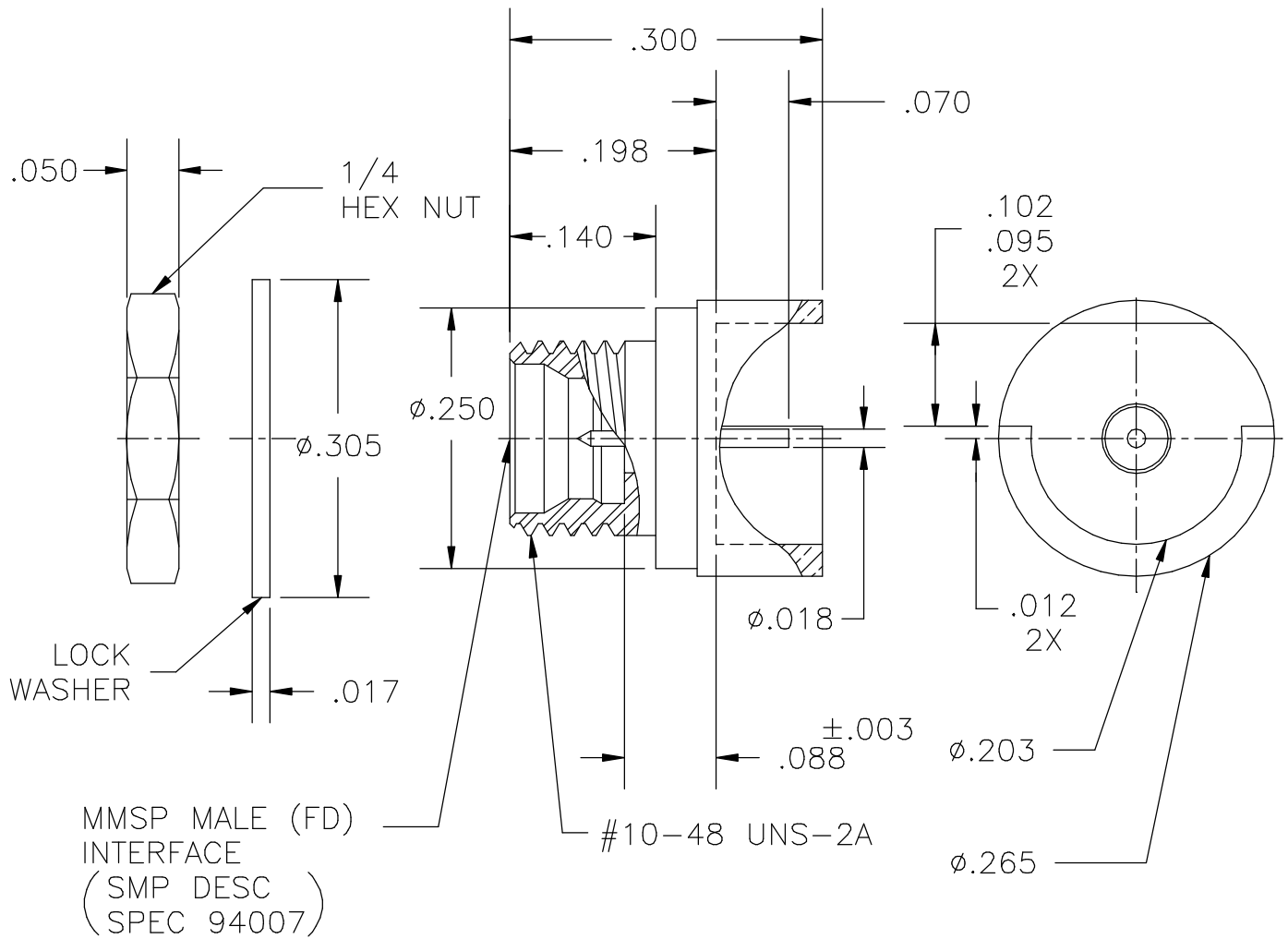


COMPONENT	MATERIAL AND FINISH	
HOUSING & CONTACT	BeCu, ASTM B196, UNS C17300	GOLD PLATE, MIL-G-45204, TYPE 1, GRADE C, CLASS 1
INSULATOR	PTFE, ASTM D1710, TYPE I, GRADE 1, CLASS A	
SHROUD, NUT	303 CRES, ASTM A582	PASSIVATE, QQ-P-35
LOCK WASHER	400 SERIES, ASTM A276	PASSIVATE, QQ-P-35

PART NO. MMSP-6145



OUTLINE DRAWING



MICRO-MODE PRODUCTS, INC.
The Reliable Connection to the Future

El Cajon, CA 92020 Peoria, AZ 85345
(619) 449-3844 (602) 334-8944

CAGE CODE
15907

ASSY PROCEDURES: N/A

TOOL: N/A

MMSP, MALE, FULL DETENT,
EDGE MOUNT

PART NO.

MMSP-6145

REVISION

A

SHEET 1 OF 1 | OL6145 7-20-98 MM PC