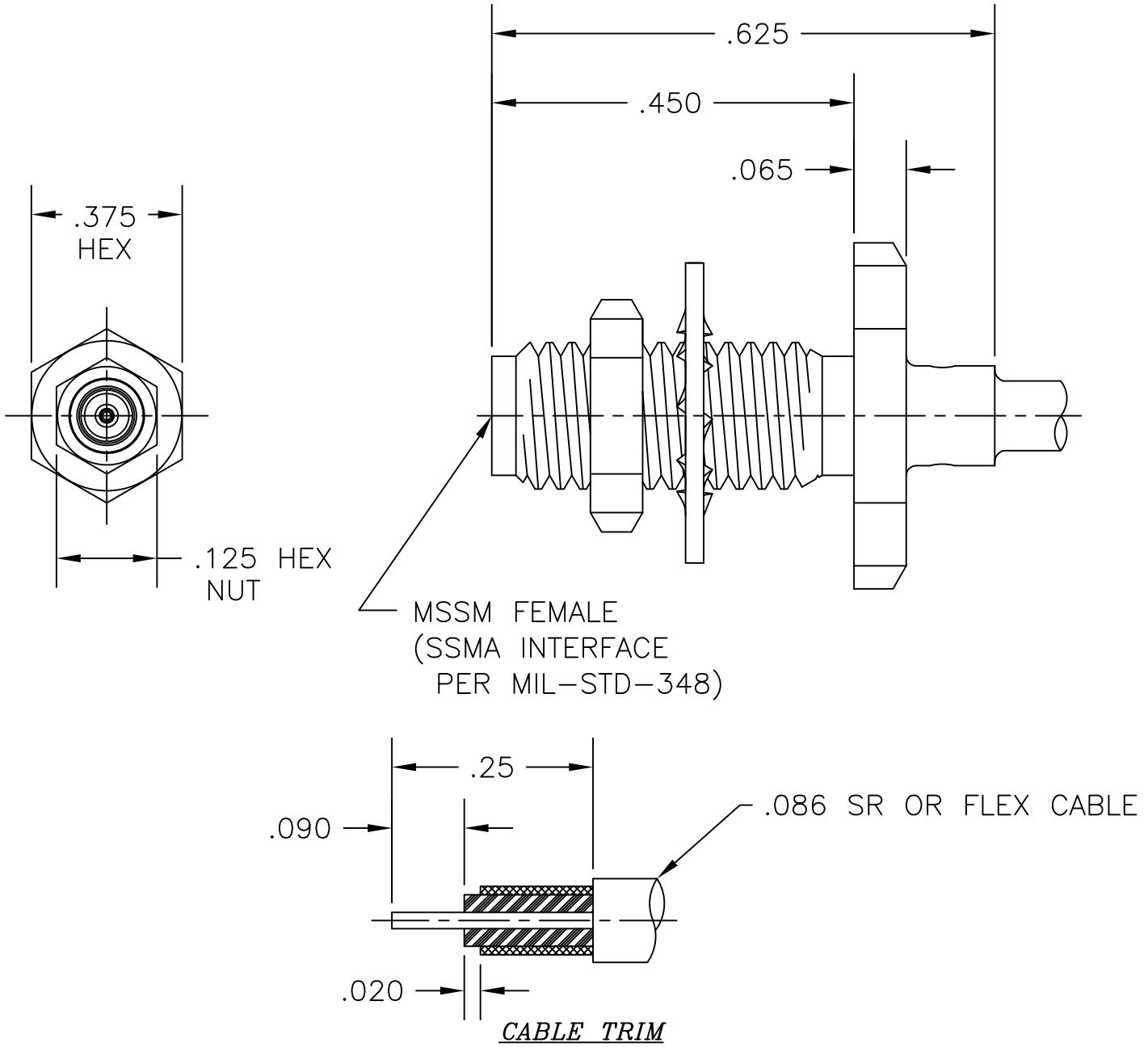


| COMPONENT | MATERIAL AND FINISH | |
|------------------|---|--|
| BODY & CONTACT | BeCu, ASTM B196, UNS C17300 | GOLD PLATE, MIL-G-45204, TYPE 1, GRADE C, CLASS 1 |
| INSULATOR | PTFE, ASTM D1710, TYPE I, GRADE 1, CLASS A | |
| NUT, LOCK WASHER | 303 CRES, ASTM A582 | PASSIVATE, AMS-QQ-P-35 |

PART NO. MSSM-7903



OUTLINE DRAWING



MICRO-MODE PRODUCTS, INC.
The Reliable Connection to the Future

El Cajon, CA 92020
ph 619.449.3844
www.micromode.com

CAGE CODE
15907

ASSY PROCEDURES: MMAP-18909

INSERTION/EXTRACTION TOOL: N/A

SSMA FEMALE, BULKHEAD
TO .086 FLEX CABLE

PART NO.

MSSM-7903

REVISION

—

SHEET 1 OF 1

OL7903 7-6-05

MP