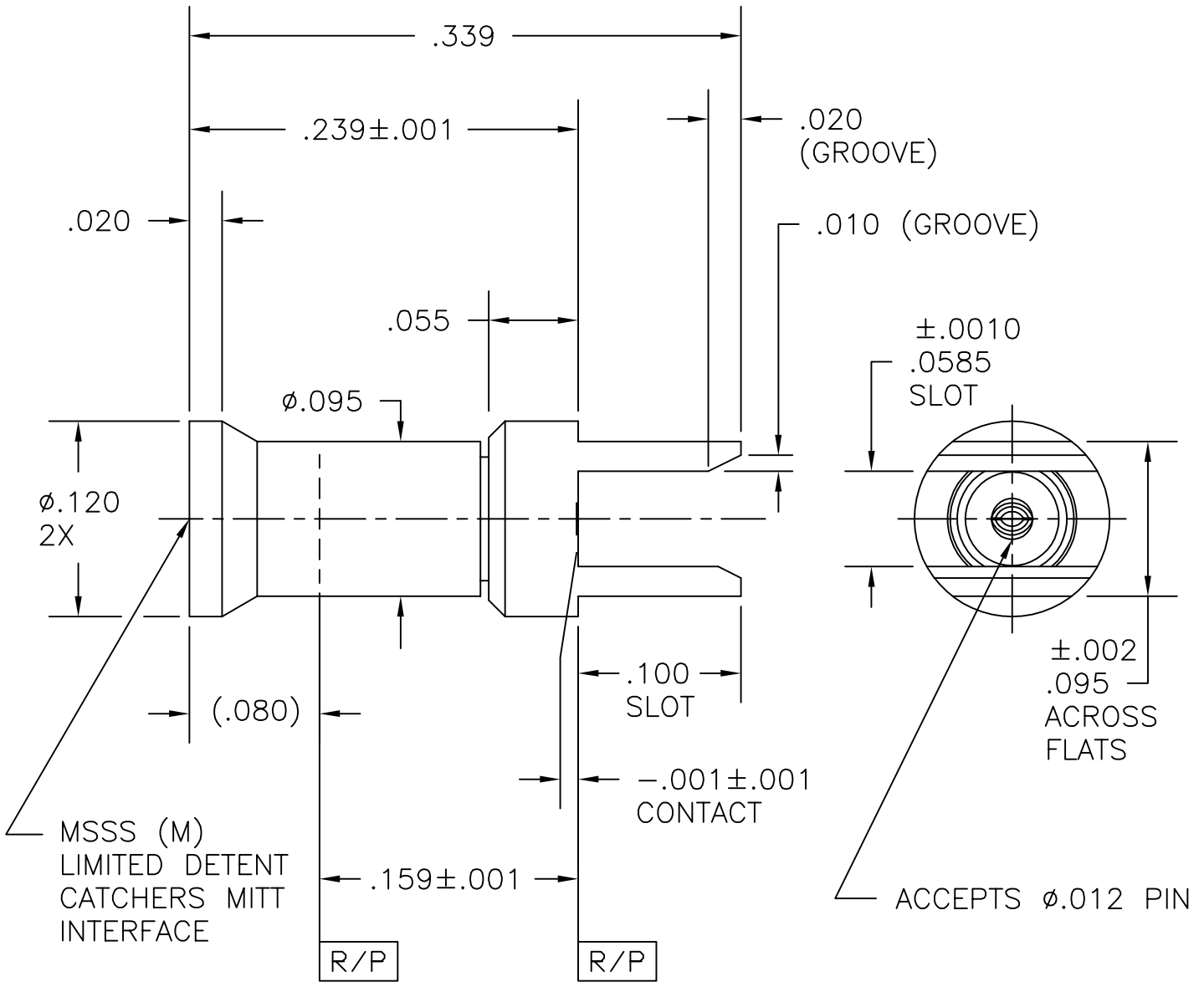


COMPONENT	MATERIAL AND FINISH	
LAUNCH & CONTACT	BeCu, ASTM B196, UNS C17300	GOLD PLATE, MIL-G-45204, TYPE I, GRADE C, CLASS 1
INSULATOR	PTFE, ASTM D1710, TYPE I, GRADE 1, CLASS A	
HOUSING	303 CRES, ASTM A582	PASSIVATE, AMS-QQ-P-35

PART NO. MSSS-7725

OUTLINE DRAWING



MICRO-MODE PRODUCTS, INC.  
*The Reliable Connection to the Future*

El Cajon, CA 92020  
ph 619.449.3844  
www.micromode.com

CAGE CODE  
15907

ASSY PROCEDURE:

MSSS, MALE, LD CATCHERS MITT  
EDGE LAUNCH TO Ø.012 C/C

LOCATOR TOOL:

PART NO.

REVISION

SHEET 1 OF 1 OL7725 11-4-04 MD

MSSS-7725

—