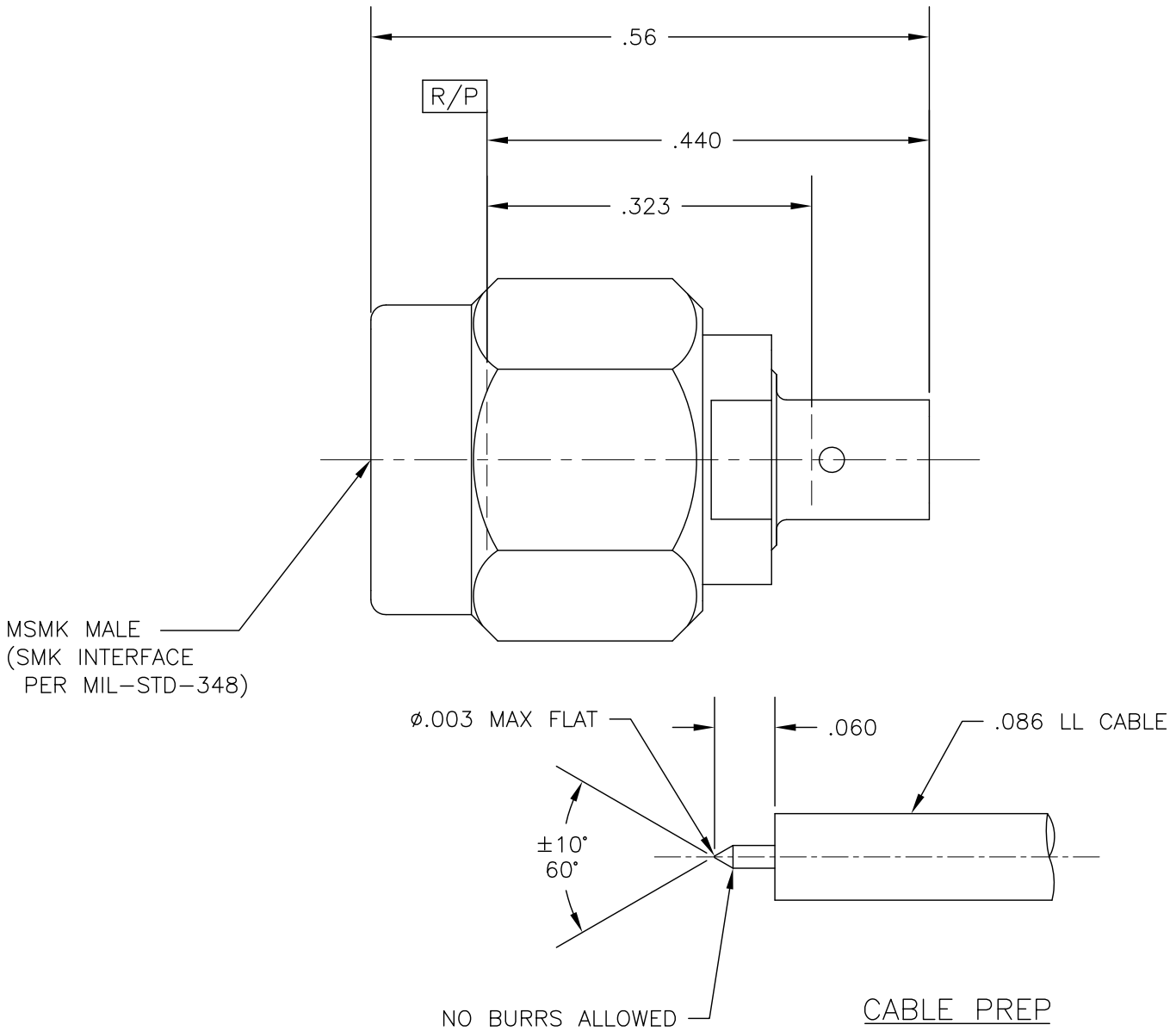


COMPONENT	MATERIAL AND FINISH	
BODY & CONTACT	BeCu, ASTM B196, UNS C17300	GOLD PLATE, MIL-G-45204, TYPE 1, GRADE C, CLASS 1
INSULATOR	PTFE, ASTM D1710, TYPE I, GRADE 1, CLASS A	
COUPLING NUT	303 CRES, ASTM A582	PASSIVATE, AMS-QQ-P-35
LOCKRING	BeCu, ASTM B196, UNS C17300	

PART NO. MSMK-7612

OUTLINE DRAWING



MICRO-MODE PRODUCTS, INC.
The Reliable Connection to the Future

El Cajon, CA 92020
 ph 619.449.3844
 www.micromode.com

CAGE CODE
 15907

ASSY PROCEDURES: .

INSERTION/EXTRACTION TOOL: N/A

SMK (M) TO
 .086 LL CABLE

PART NO.

MSMK-7612

REVISION

A

SHEET 1 OF 1 | OL7612 9-3-04 | EB .