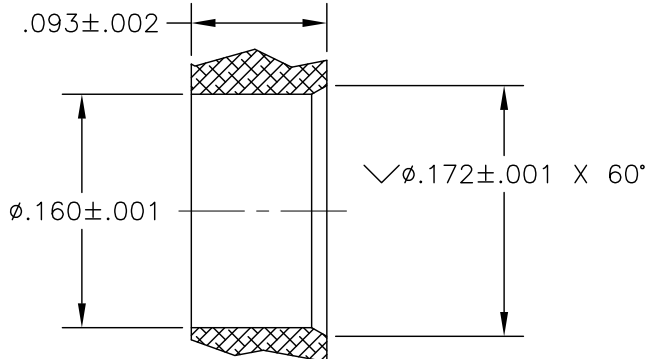
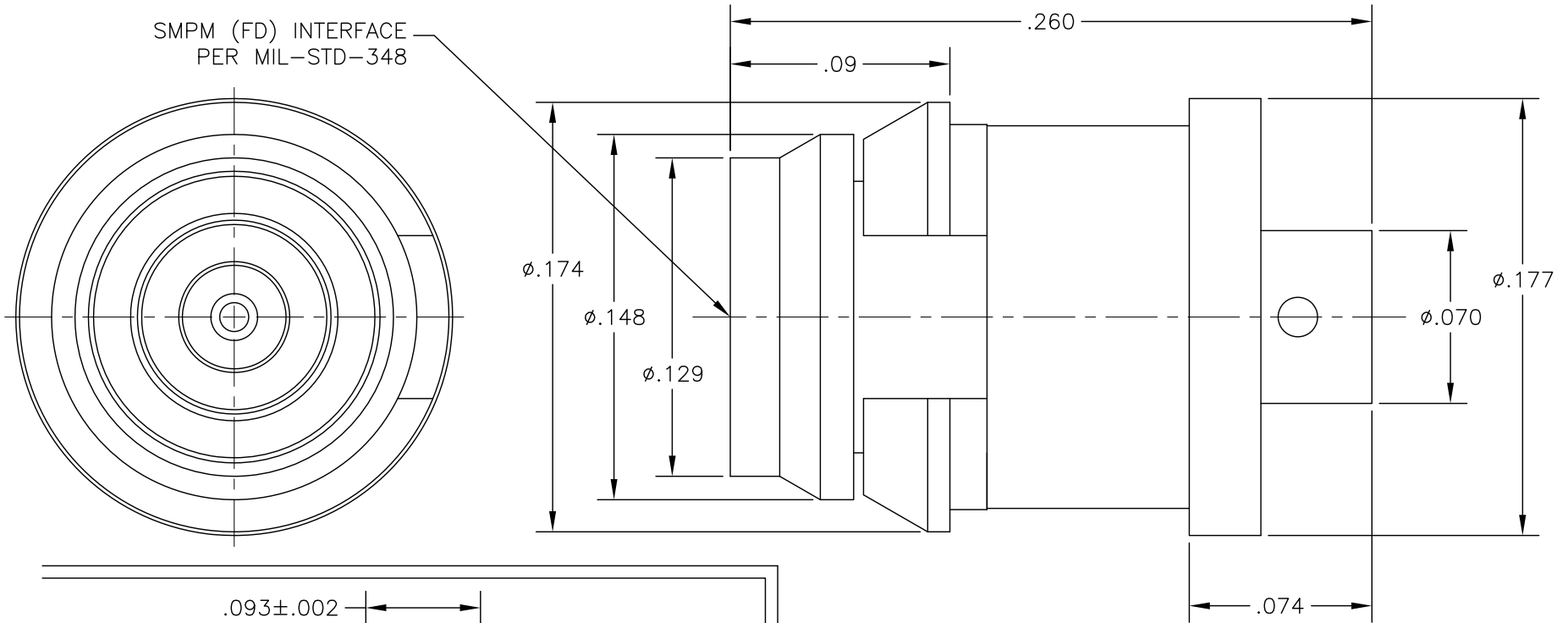
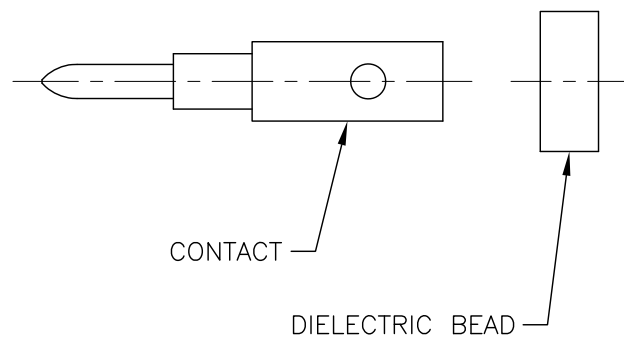


OUTLINE DRAWING

PART NO. MSSP-6481



PANEL AND MOUNTING HOLE
SCALE 30:1



COMPONENT	MATERIAL & FINISH	
BODY & CONTACT	BeCu, ASTM B196, UNS C17300	GOLD PLATE, MIL-G-45204, TYPE 1, GRADE C, CLASS 1
INSULATOR	PTFE, ASTM D1710, TYPE I, GRADE 1, CLASS A	
DIELECTRIC BEAD	ULTEM 1000, ASTM D5205	
BUSHING	303 CRES, ASTM A582	PASSIVATE, AMS-QQ-P-35
SNAP RING	BeCu, ASTM B196, UNS C17300	ELECTROLESS Ni PLATE, MIL-C-26074



MICRO-MODE PRODUCTS, INC.
The Reliable Connection to the Future

El Cajon, CA 92020
ph 619.449.3844
www.micromode.com

CAGE CODE
15907

ASSY PROCEDURES: MMAP-6477

INSERTION/EXTRACTION TOOL: MMTL-6483

SMPM, FULL DETENT
SNAP-IN TO .047 SR CABLE

PART NO.

MSSP-6481

REVISION

A

SHEET 1 OF 1 | OL6481 9-2-99 PC JC

PART NO. MSSP-6481 | OUTLINE DRAWING