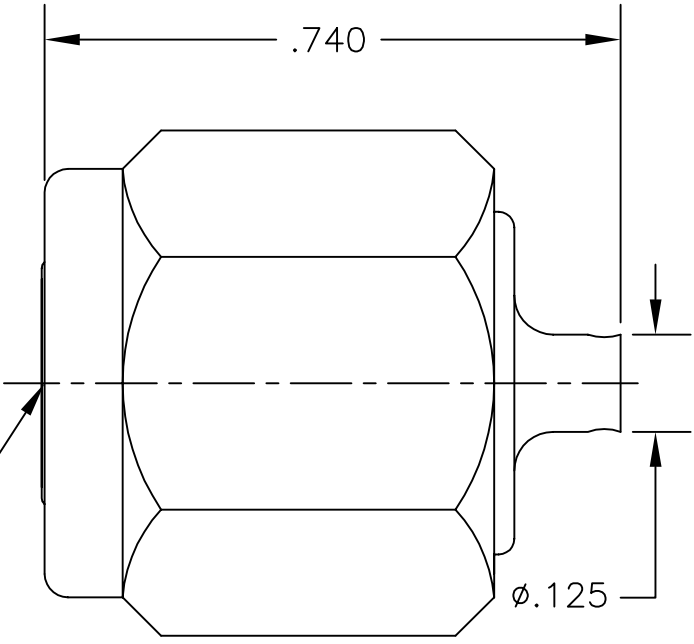
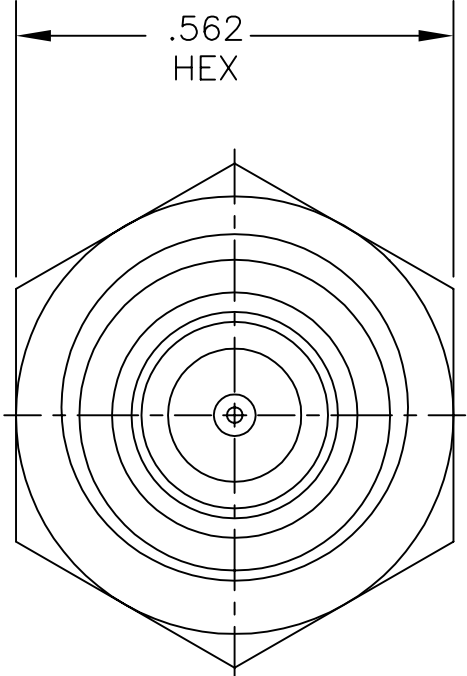
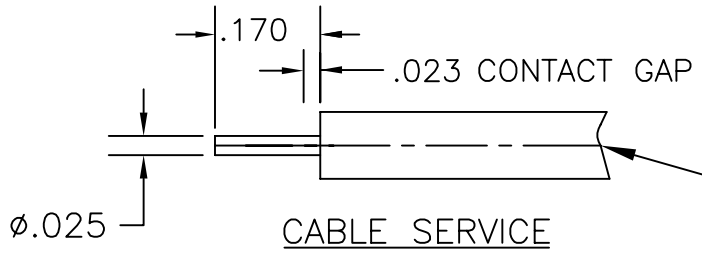
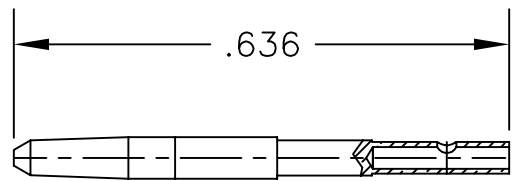


PART NO. MTNC-6209
OUTLINE DRAWING

COMPONENT	MATERIAL AND FINISH	
BODY & CONTACT	BeCu, ASTM B196, UNS C17300	GOLD PLATE, MIL-G-45204, TYPE 1, GRADE C, CLASS 1
RETAINING RING	BeCu, ASTM B196, UNS C17300	
INSULATOR	PTFE, ASTM D1710, TYPE I, GRADE 1, CLASS A	
GASKET	SILICONE RUBBER, FED SPEC ZZ-R-765	
COUPLING NUT	303 CRES, ASTM A582	PASSIVATE, QQ-P-35



TNC PLUG INTERFACE PER
MIL-T-81490 TYPE 4 MODIFIED
FOR 18.5 GHz PERFORMANCE
MATES NON-DESTRUCTIVELY
WITH TYPE-1 TNC JACK



.086 MICROPOROUS SR CABLE
(HAVERHILL HC-70009-1/-3)



MICRO-MODE PRODUCTS, INC.
The Reliable Connection to the Future

El Cajon, CA 92020
ph 619.449.3844
www.micromode.com

CAGE CODE
15907

ASSY PROCEDURES: MMAP-6264		TNC PLUG TO .086 MICROPOROUS SR CABLE (HAVERHILL HC-70009-1/-3)	
INSERTION/EXTRACTION TOOL: N/A			
SHEET 1 OF 1		PART NO. MTNC-6209	REVISION A
OL6209	2-5-99	PC	