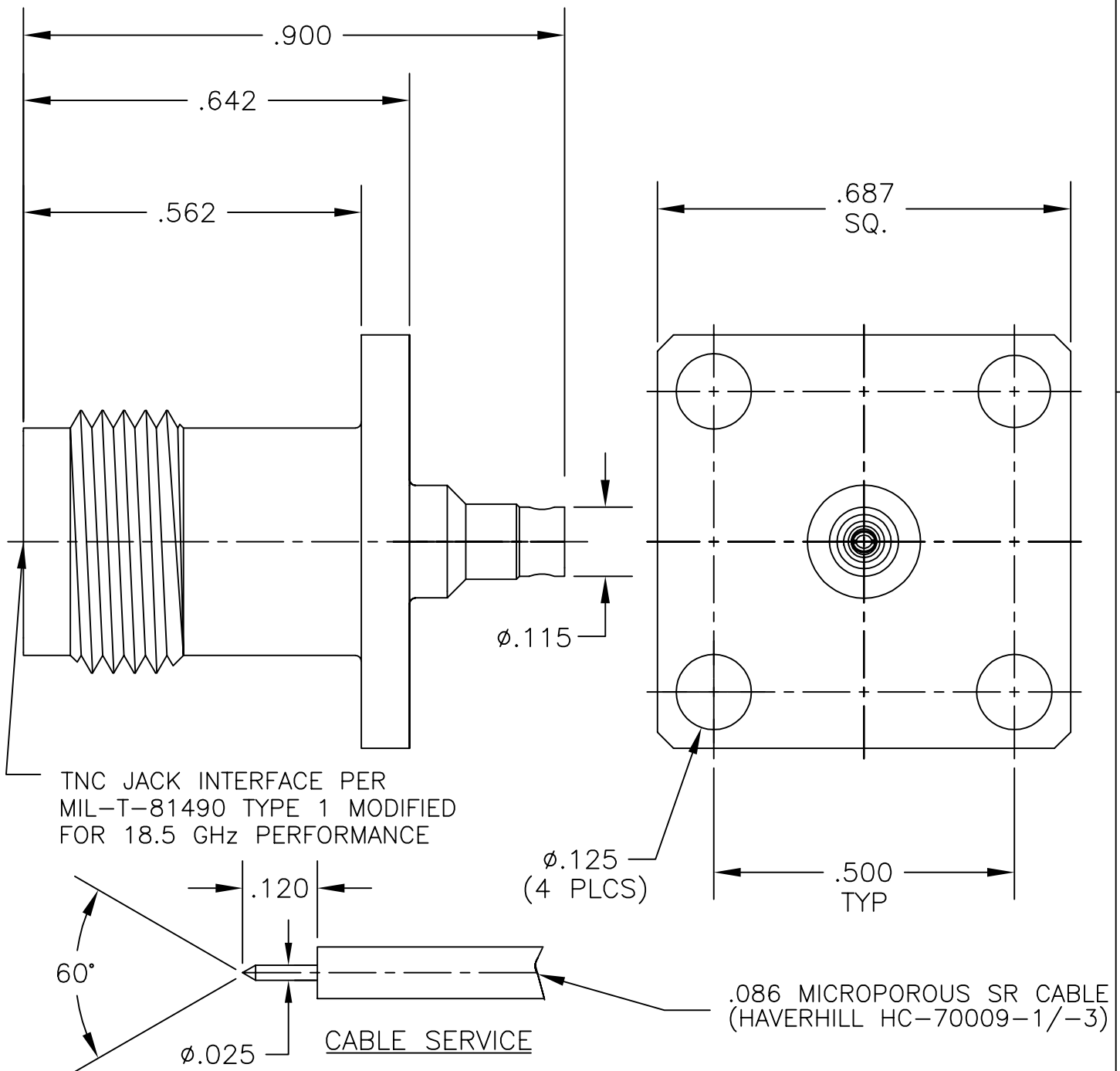


COMPONENT	MATERIAL AND FINISH	
BODY & CONTACT	BeCu, ASTM B196, UNS C17300	GOLD PLATE, MIL-G-45204, TYPE 1, GRADE C, CLASS 1
INSULATOR	PTFE, ASTM D1710, TYPE I, GRADE 1, CLASS A	

PART NO. MTNC-6208

OUTLINE DRAWING



MICRO-MODE PRODUCTS, INC.
The Reliable Connection to the Future

El Cajon, CA 92020
ph 619.449.3844
www.micromode.com

CAGE CODE
15907

ASSY PROCEDURES: MMAP-6253		TNC JACK TO .086 MICROPOROUS SR CABLE (HAVERHILL HC-70009-1/-3)	
INSERTION/EXTRACTION TOOL: N/A		PART NO. MTNC-6208	
SHEET 1 OF 1	OL6208 2-5-99	PC	REVISION A